

LED Direct Bar Light

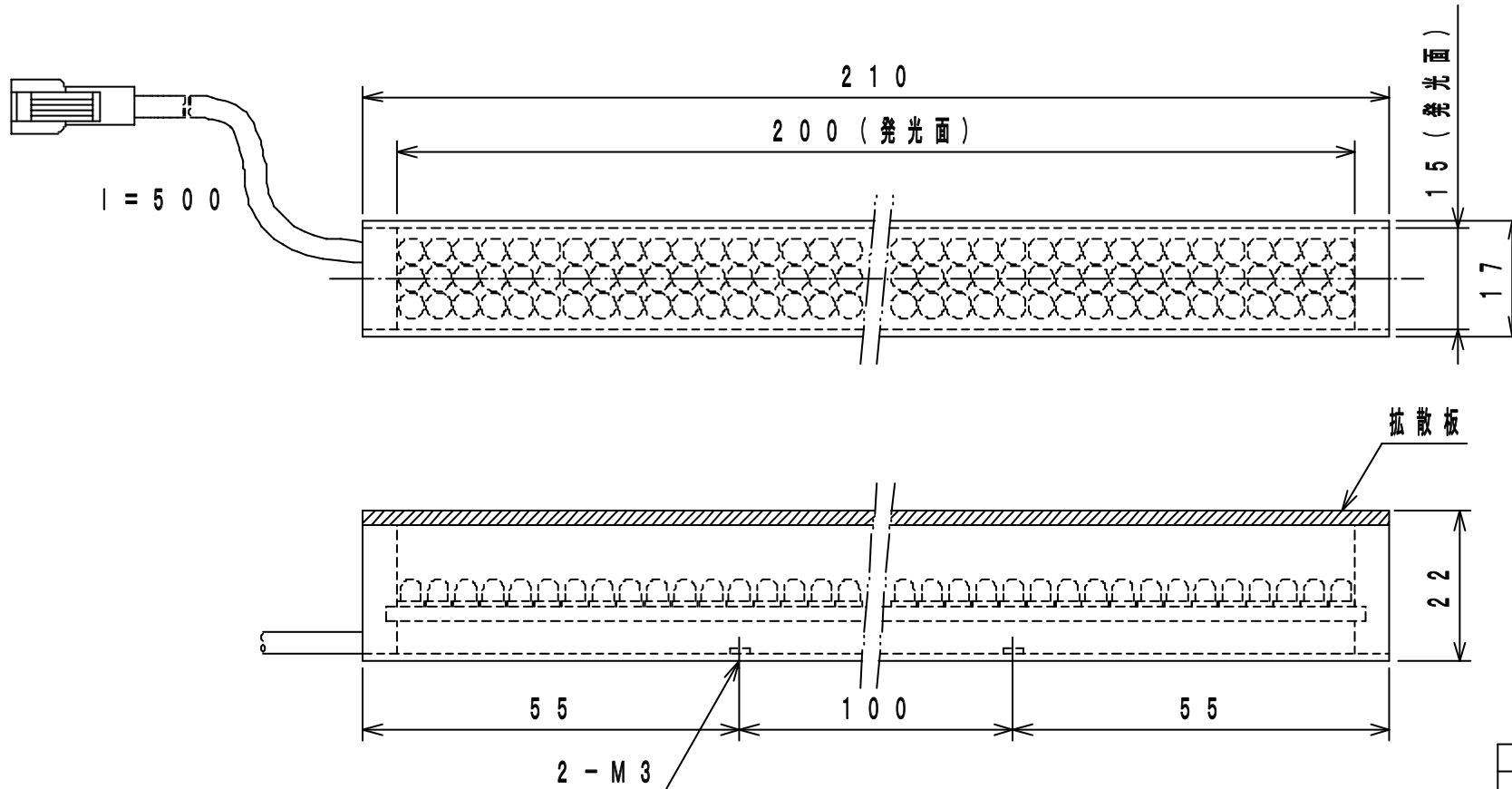
I DB-15/200RS

Details of Connector



	Light	Power Supply
Connector	SMR-02V-B	SMP-02V-BC
Contact	BYM-001T-0.6	BHF-001T-0.8SS

- * 147 Red LEDs
- * Only 12V USE
- * Electric Power Consumption 6.0W



承	認	作	成

211-160