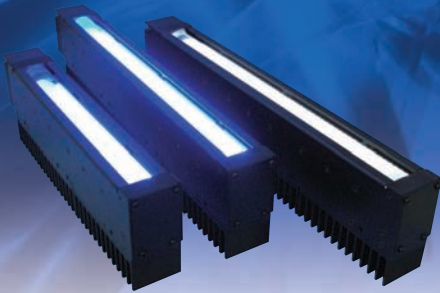


# Brimax Line Light IDBA-LSR

Power LED  
Natural air cooling type  
DC 24V products available



## Super-high luminance light condensing type high-specification line light

The light quantity is drastically increased from conventional line light, by adopting power LEDs. Our unique optical design minimizes decrease of the light quantity due to the WD, and offers original line light that can be used at a long distance. The special radiation structure improves the radiation efficiency, and ensures a long life. Variations of red, white, blue, green, incandescent, and infrared light are available. A custom made forced air-cooling type with 1.5 times light quantity is also available. Long versions over than 600 mm are available in increments of 100 mm. For details, contact us.

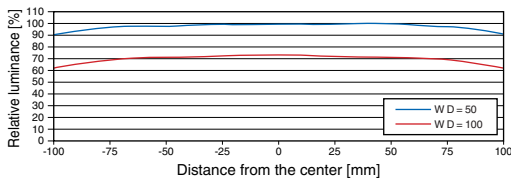
Unit: mm

Model (12V)	Power Consumption (W)				Outline drawing	Model (24V)
	W	R	B	G		
IDBA-LSR100	17.5	10.5	17.5	12.0	1	IDBA-LSR100 HV
IDBA-LSR200	35.0	21.0	35.0	24.0	2	IDBA-LSR200 HV
IDBA-LSR300	52.5	31.5	52.5	36.0	3 (n=300)	IDBA-LSR300 HV
IDBA-LSR400	70.0	42.0	70.0	48.0	4 (n=400)	IDBA-LSR400 HV
IDBA-LSR600	105.0	63.0	105.0	72.0	6 (n=600)	IDBA-LSR600 HV
IDBA-LSR1000	175.0	105.0	175.0	120.0	10 (n=1000)	IDBA-LSR1000 HV

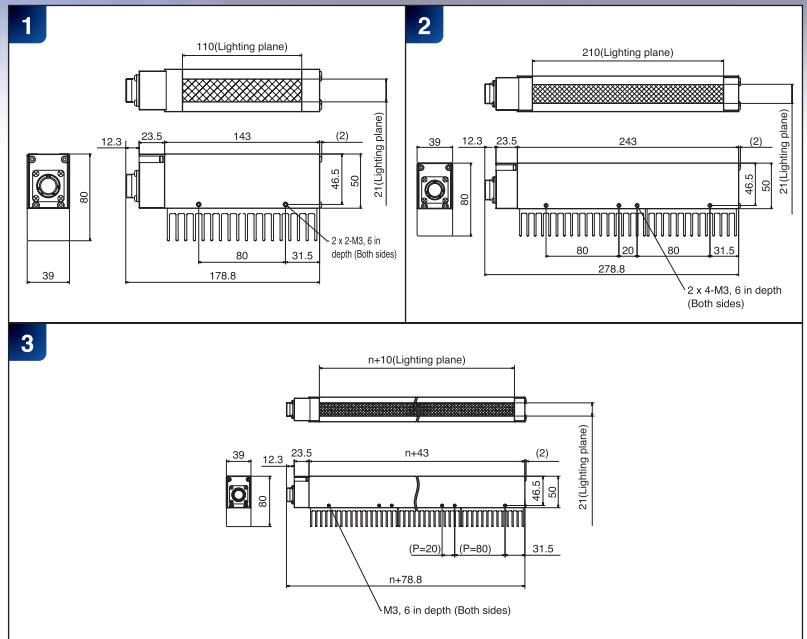
represents W = white, R = red, B = blue, or G = green.

Number of LEDs, power consumption, SAG value, and outline drawing are for DC12V products. Please contact us for specifications of DC24V products. Sizes other than the above are also available.

### Luminance measurement data (IDBA-LSR300W)



Highly uniform luminance with uniformity of within 10% can be used in the range of about 200 mm.

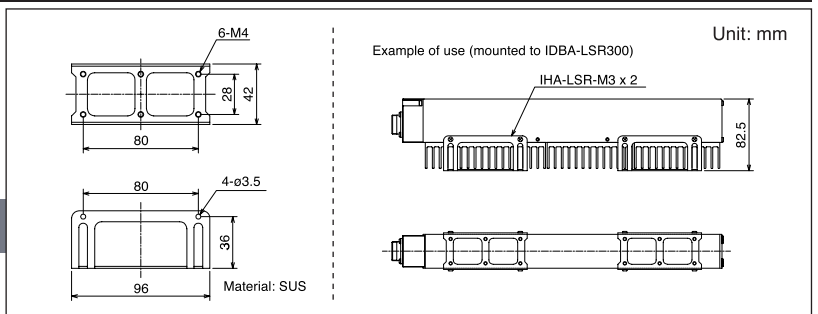


### Option

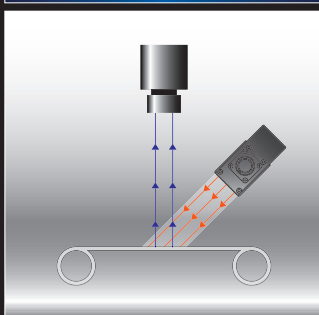


### Bracket for Brimax / IHA-LSR-M3

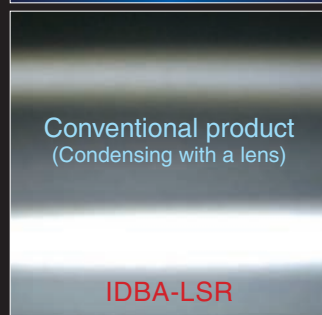
The mounting holes on the side can be moved to the back, using this optional bracket. It is used in such cases where it is impossible to mount on the side.



### Example of use

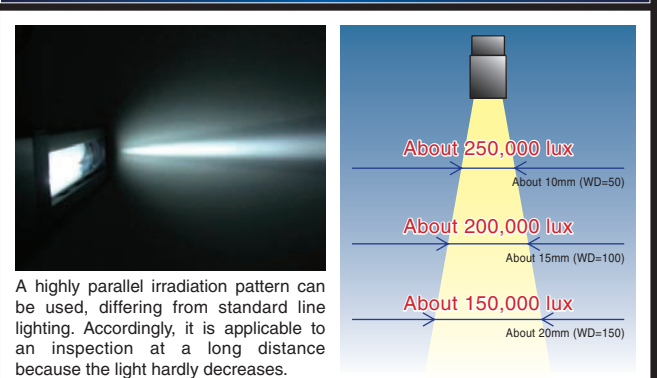


### Comparison with conventional products



The light quantity is increased more than 10 times as much as conventional products.

### Relation between the WD and the light condensing width



# Transmitted Light Type

# Briback Line Light IDBA-RE

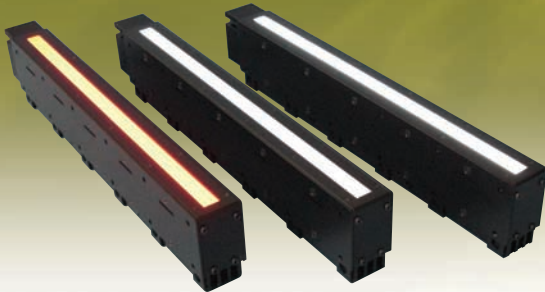
Power LED

Natural air cooling type

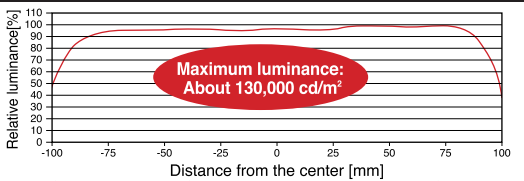
DC 24V products available

## Ultra-high uniform/super-high luminance high specification line light

The light quantity is drastically increased from conventional line light, by adopting power LEDs. It ensures highly uniform line light with uniformity within 10% in the range except about 25 mm at the both ends on the lighting plane. Luminance-conscious/uniformity-conscious can be switched by changing the diffusion rate on the lighting plane. Variations of red, white, blue, and green lighting are available. Long versions over than 600 mm are available in increments of 100 mm. For details, contact us.



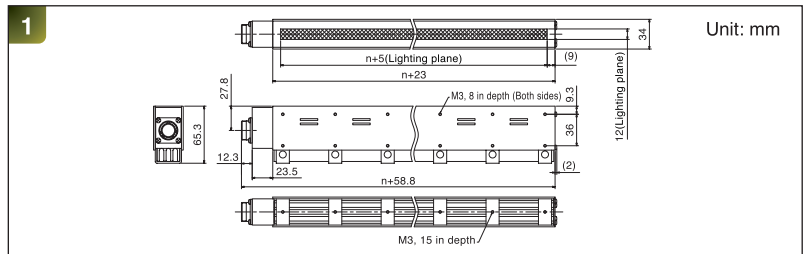
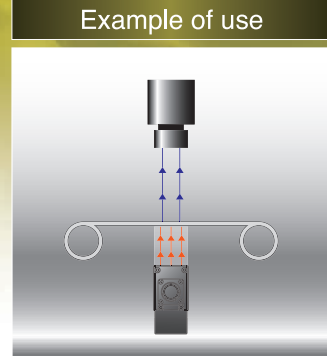
Luminance measurement data (IDBA-RE200W)



Highly uniform line lighting with uniformity within 10% can be used in the range of about 160 mm.

Model (12V)	Irradiating color	Power Consumption (W)	Specification	Outline drawing	Model (24V)
IDBA-RE100	W/R/B/G	8.7	Uniformity-conscious	1(n=100)	IDBA-RE100 HV
IDBA-RE100-S	W/R/B/G		Luminance-conscious		IDBA-RE100 HV-S
IDBA-RE200	W/R/B/G	17.5	Uniformity-conscious	1(n=200)	IDBA-RE200 HV
IDBA-RE200-S	W/R/B/G		Luminance-conscious		IDBA-RE200 HV-S
IDBA-RE300	W/R/B/G	26	Uniformity-conscious	1(n=300)	IDBA-RE300 HV
IDBA-RE300-S	W/R/B/G		Luminance-conscious		IDBA-RE300 HV-S
IDBA-RE400	W/R/B/G	35	Uniformity-conscious	1(n=400)	IDBA-RE400 HV
IDBA-RE400-S	W/R/B/G		Luminance-conscious		IDBA-RE400 HV-S
IDBA-RE600	W/R/B/G	52	Uniformity-conscious	1(n=600)	IDBA-RE600 HV
IDBA-RE600-S	W/R/B/G		Luminance-conscious		IDBA-RE600 HV-S

represents W = white, R = red, B = blue, or G = green.  
Number of LEDs, power consumption, SAG value, and outline drawing are for DC12V products. Please contact us for specifications of DC24V products. Sizes other than the above are also available.



## Power Supply

# Power Supply Specialized for IDBA-LSR/RE IBC



## Constant Current Light Control Power Supply Specialized for IDBA-LSR/RE

This constant current power supply can light-control Brimax / Briback externally by sending digital signals. A maximum of 256 levels of light control is available using the 8-bit parallel communication system. It is effectively used in combination with a high-speed shutter camera or a high-speed clock line sensor camera, by adopting the constant current light control system. Input voltage is AC 100V to 240V. (The power cable equipped as standard is for AC 100V.)

Model name	CH	External control	Capacity	Outline drawing
IBC-30J			30W or less	1
IBC-150J	1	1	30 ~ 150W	2
IBC-300J			150 ~ 300W	3

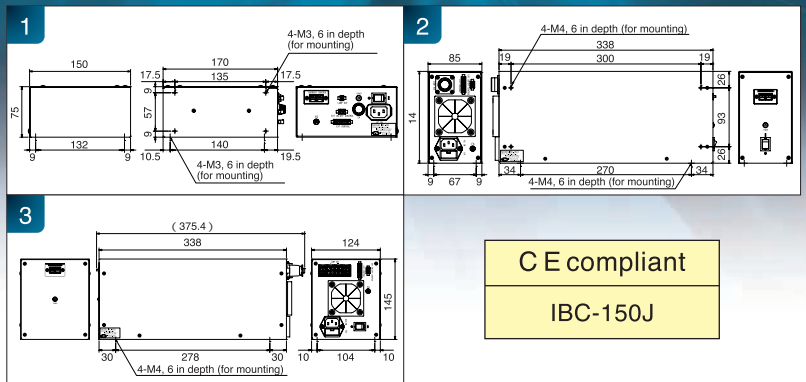
Input Voltage	AC100~240V
Operating Frequency	50/60Hz
Light Control System	Constant current light control
External Light Control	8-bit parallel *
External Control	External ON/OFF

\* 0 to 5V and "RS232C" are available as a custom made external light control.

### Cable Specialized for Bri-series/I-CB-S\*R-MCN

Model name	Length (m)
I-CB-S1R-MCN	1
I-CB-S2R-MCN	2
I-CB-S3R-MCN	3
I-CB-S4R-MCN	4
I-CB-S5R-MCN	5
I-CB-S10R-MCN	10

This cable must be used when connecting Brimax or Briback with the specialized power supply.



C E compliant  
IBC-150J

### External Light Control Cable for IBC Power Supply / IC-BC-D8-\*

Pin number	Line color	Pin number	Line color	Pin number	Line color	Model name	Length (m)	Model name	Length (m)
1	White	5	Blue	9	Red	IC-BC-D8-1	1	IC-BC-D8-4	4
2	Yellow	6	Gray	10	Black	IC-BC-D8-2	2	IC-BC-D8-5	5
3	Brown	7	Orange			IC-BC-D8-3	3	IC-BC-D8-10	10
4	Green	8	Light blue						