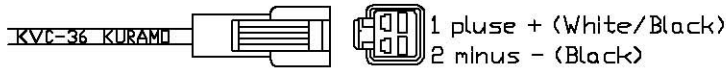


LED Direct Line Light

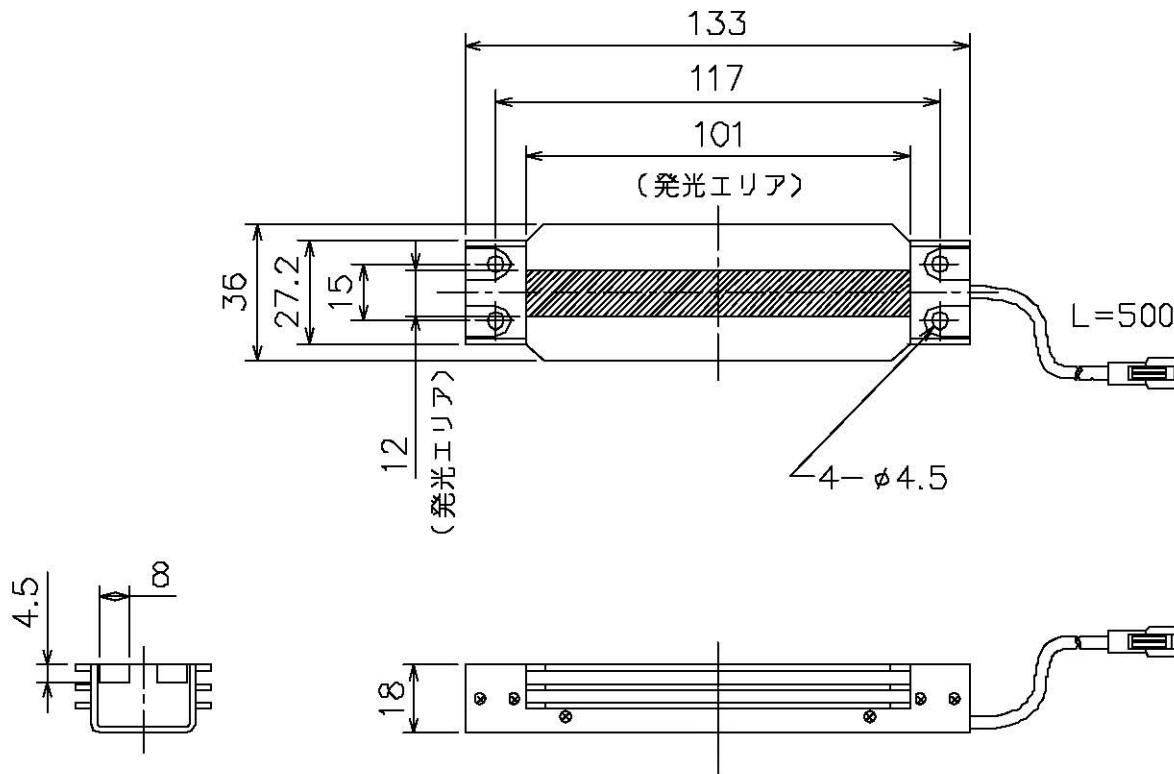
IDB-L100/12HWS

Details of Connector



	Light	Power Supply
Connector	SMR-02V-B	SMP-02V-BC
Contact	BYM-001T-0.6	BHF-001T-0.8SS

- * 84 White Chip-LEDs
- * Only DC12V(MAX) USE
- * Electric Power Consumption 6.8W(MAX)



承 認	作 成

215-221