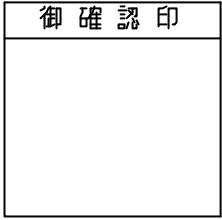
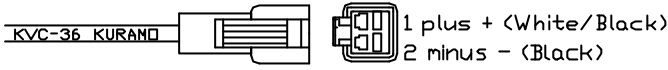


IDM-32/62RT

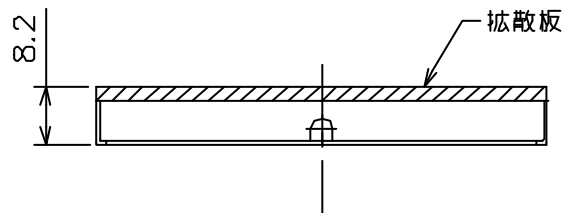
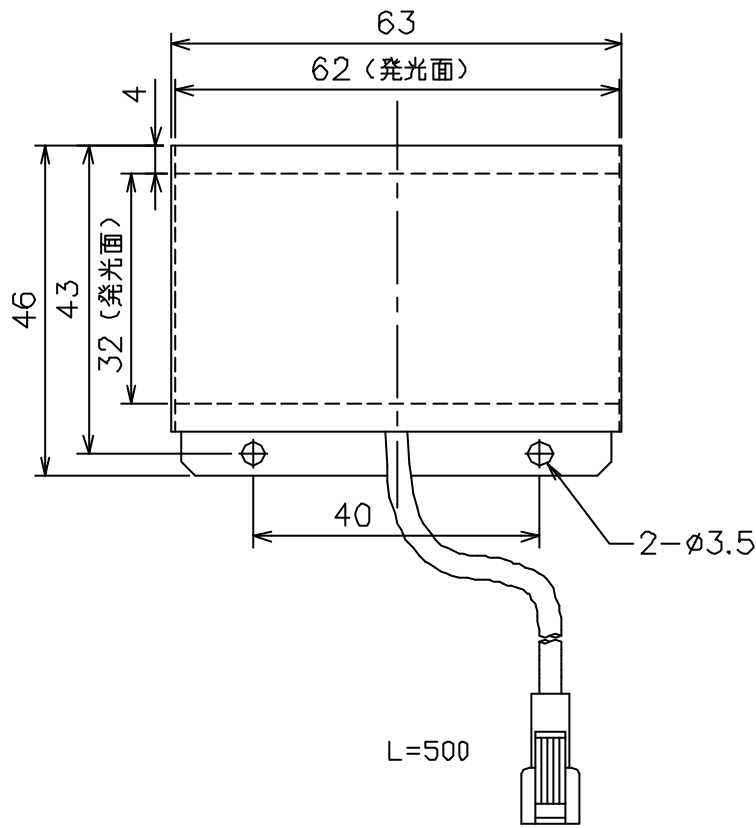


Details of Connector



	Light	Power Supply
Connector	SMR-02V-B	SMP-02V-BC
Contact	BYM-001T-0.6	BHF-001T-0.8SS

- * 72 Red Chip LEDs
- * Only 12V USE
- * Electric Power Consumption 2.9W



承 認	作 成