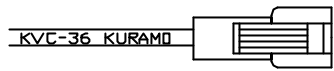


# IDM-60/62RT

御 確 認 印

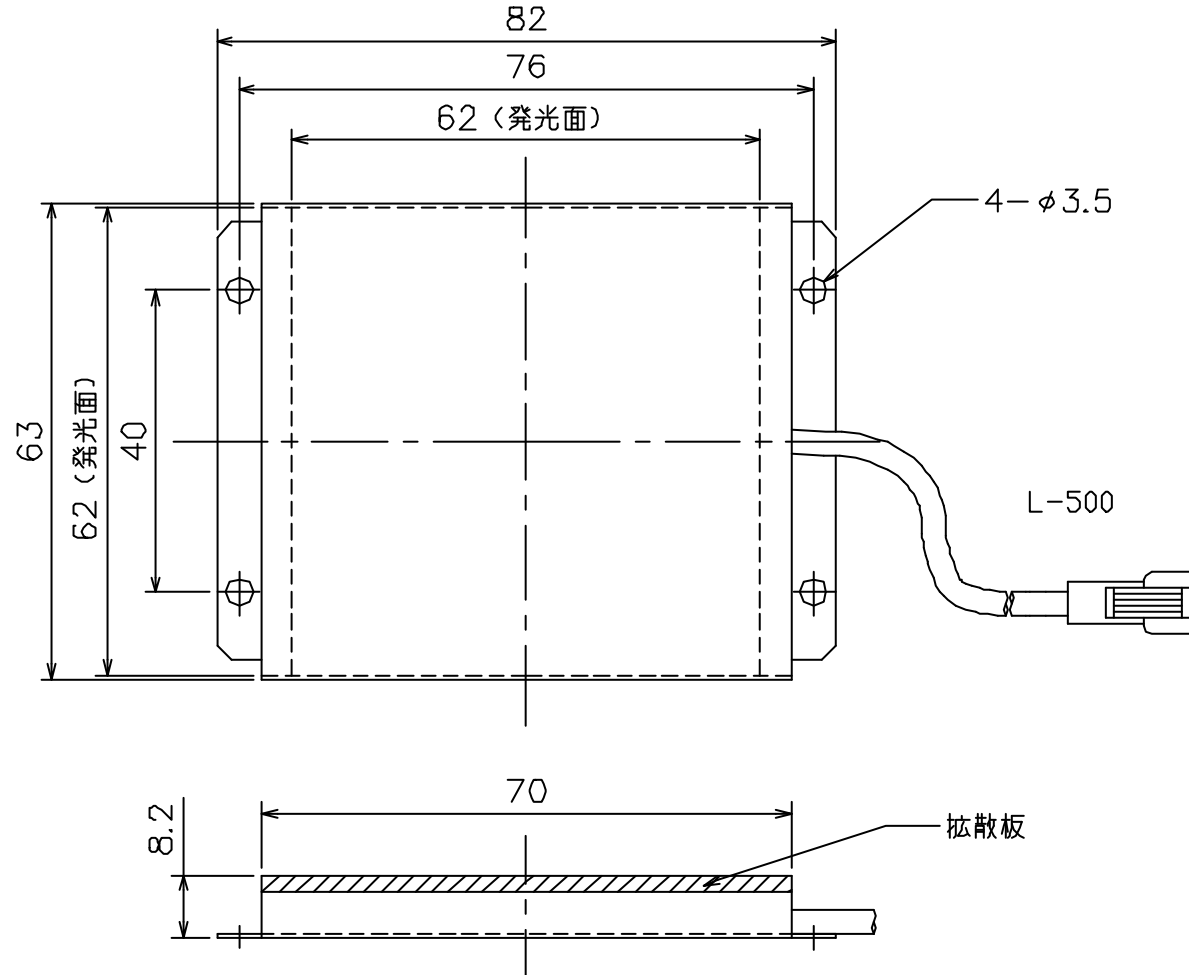
## Details of Connector



1 plus + (White/Black)  
2 minus - (Black)

	Light	Power Supply
Connector	SMR-02V-B	SMP-02V-BC
Contact	BYM-001T-0.6	BHF-001T-0.8SS

- \* 144 Red Chip LEDs
- \* Only 12V USE
- \* Electric Power Consumption 5.8W



承 認	作 成

321-350



V.S. Technology Corp.