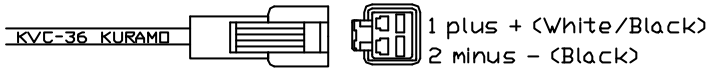


IDM-92/92RT

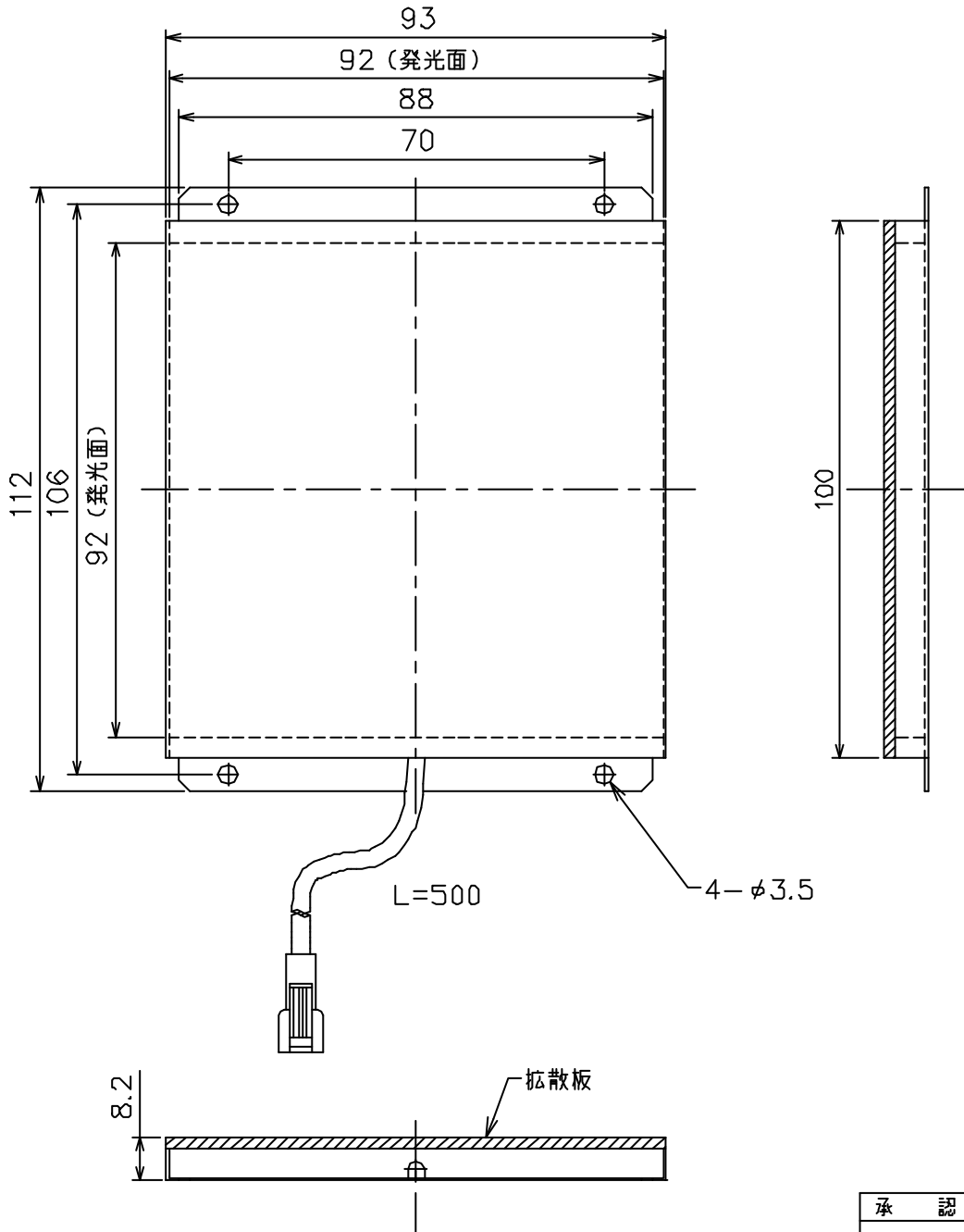
御 確 認 印

Details of Connector



	Light	Power Supply
Connector	SMR-02V-B	SMP-02V-BC
Contact	BYM-001T-0.6	BHF-001T-0.8SS

- * 324 Red Chip LEDs
- * Only 12V USE
- * Electric Power Consumption 13W



承 認	作 成