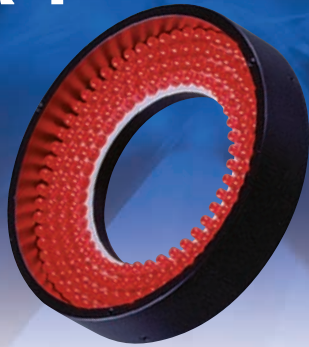


# Flat Direct Ring Light IDR-F

DC 24V products available



## Wide lighting area

High luminance LEDs are mounted on a ring-shaped flat board. Compared with direct ring light, this is effective for irradiating wider area with the same number of elements. The longer the distance to the work, the wider the irradiating area. The optional diffusing plate improves the uniformity of lighting. Variations of red, white, blue, green, mixed-color, infrared, and ultraviolet are available.

Unit: mm

Model (12V)	Irradiating color	Number of LEDs	Power Consumption (W)	SAG (*)	Outline drawing	Model (24V)
IDR-F32/10R	R	18	0.8	6D	1	-
IDR-F32/10DW	W	18	1.5	FF		-
IDR-F32/10	B/G	18	1.5	D5		-
IDR-F43/15R	R	36	1.5	6E	2	IDR-F43RHV
IDR-F43/15DW	W	36	2.9	FF		IDR-F43WHV
IDR-F43/15	B/G	36	2.9	D8	3	IDR-F43 HV
IDR-F50/15R	R	54	2.2	6F		IDR-F50RHV
IDR-F50/15DW	W	54	4.4	FF	4	IDR-F50WHV
IDR-F50/15	B/G	54	4.4	DB		IDR-F50 HV
IDR-F60/32R	R	60	2.4	6F	5	IDR-F60RHV
IDR-F60/32DW	W	60	4.8	FF		IDR-F60WHV
IDR-F60/32	B/G	60	4.8	DC	6	IDR-F60 HV
IDR-F70/37R	R	108	4.4	70		IDR-F70RHV
IDR-F70/37DW	W	93	7.5	FF	7	IDR-F70WHV
IDR-F70/37	B/G	93	7.5	E1		IDR-F70 HV
IDR-F90/50R	R	204	8.2	73	8	IDR-F90RHV
IDR-F90/50DW	W	102	8.2	FF		IDR-F90WHV
IDR-F90/50	B/G	102	8.2	E2	9	IDR-F90 HV
IDR-F100/50R	R	216	8.7	73		IDR-F100RHV
IDR-F100/50DW	W	108	8.7	FF	10	IDR-F100WHV
IDR-F100/50	B/G	108	8.7	E3		IDR-F100 HV
IDR-F110/60R	R	240	9.6	74	11	IDR-F110RHV
IDR-F110/60DW	W	159	12.8	FF		IDR-F110WHV
IDR-F110/60	B/G	159	12.8	EB	12	IDR-F110 HV

represents B = blue, or G = green.

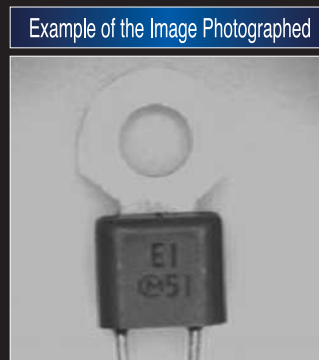
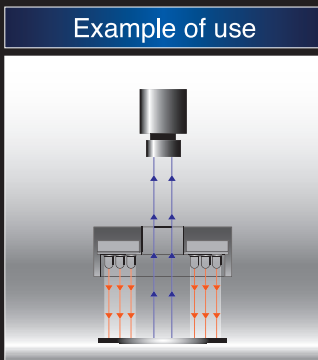
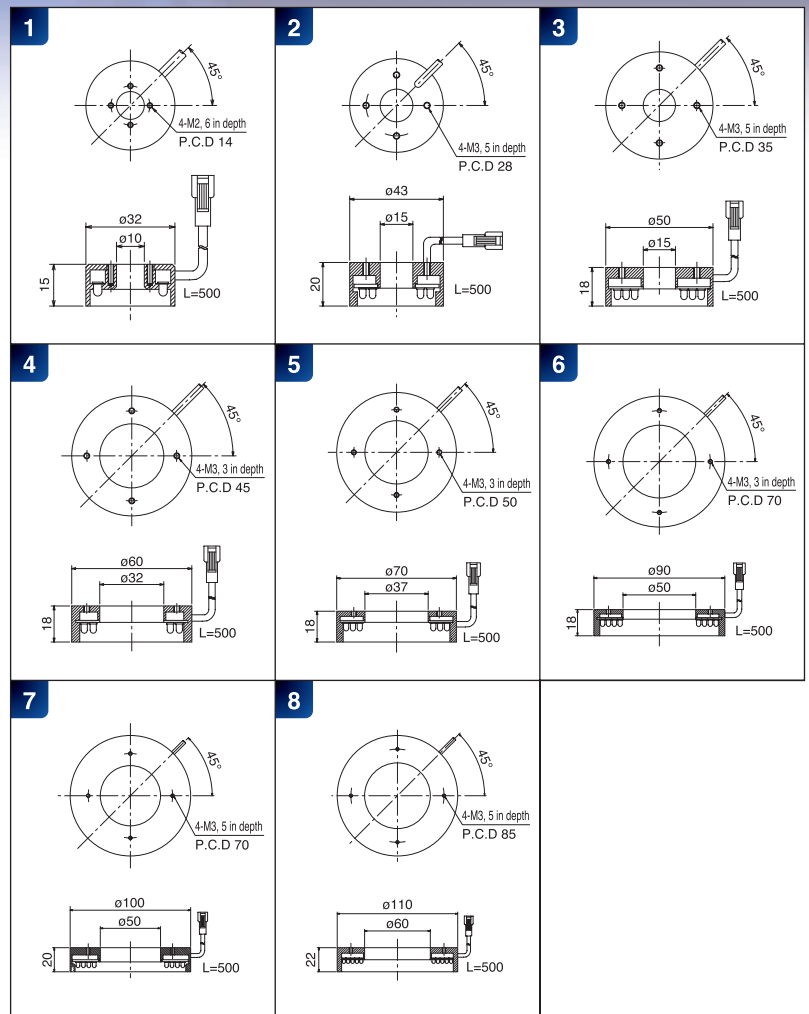
The optional diffusing plate / polarizing plate can be mounted.

Bonding or a specialized adapter is required only for IDR-F32/10.

Number of LEDs, power consumption, SAG value, and outline drawing are for DC12V products. Please contact us for specifications of DC24V products.

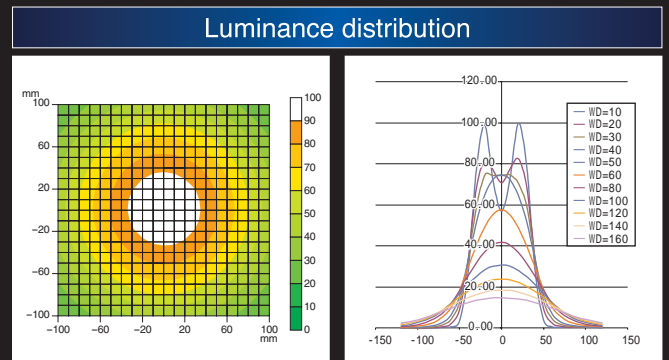
Sizes other than the above are also available.

\* SAG represents the maximum SAG setting value. For details, refer to page 54.



Characters on a part can be recognized by flat direct irradiation from the top.

Work: Thermistor  
Light: IDR-F50/15G



Uniform lighting is ensured even at a long WD.

Measurement model: IDR-F110/60DW  
WD: 200mm

A wide, uniform lighting area is ensured by mounting the LED in parallel with the work surface.

Measurement model: IDR-F70/37DW