

# Low Angle Direct Ring Light IDR-LA

DC 24V products available



## Suitable for edge detection and defect inspection

This ring light condenses strong oblique light on works at a close-up distance by mounting bullet-type LED elements in a ring form and inclining the mounted board at a large angle. It fits for limited equipment installation space, and for recognition of an irregular surface profile of a work. For products mentioned here, low cost and weight reduction are prioritized by intentionally using resin cases. However, the product series using aluminum irradiating cases are also available like some of other company's products. For glossy works, please use a diffusing plate which reduces the shadows of LED elements. The diffusing plate can be mounted easily by customers using screws.

Unit: mm

Model (12V)	Irradiating color	Number of LEDs	Power Consumption (W)	WD (mm)	SAG (*)	Outline drawing	Model (24V)
IDR-LA40/15R-2	R	36 (2 lines)	1.5	5 ~ 10	6E		-
IDR-LA40/15DW-2	W	36 (2 lines)	2.9	5 ~ 10	FF	1	-
IDR-LA40/15 -2	B/G	36 (2 lines)	2.9	5 ~ 10	D8		-
IDR-LA50/24R-2-C01	R	48 (2 lines)	2	10 ~ 20	6E		IDR-LA50RHV
IDR-LA50/24DW-2-C01	W	48 (2 lines)	3.9	10 ~ 20	FF	2	IDR-LA50WHV
IDR-LA50/24 -2-C01	B/G	48 (2 lines)	3.9	10 ~ 20	DA		IDR-LA50 HV
IDR-LA74/48R	R	90 (2 lines)	3.6	15 ~ 30	70		IDR-LA74RHV
IDR-LA74/48DW	W	90 (2 lines)	7.2	15 ~ 30	FF	3	IDR-LA74WHV
IDR-LA74/48	B/G	90 (2 lines)	7.2	15 ~ 30	E0		IDR-LA74 HV
IDR-LA100/68R-3	R	180 (3 lines)	7.2	20 ~ 40	72		IDR-LA100RHV
IDR-LA100/68DW-3	W	90 (3 lines)	7.2	20 ~ 40	FF	4	IDR-LA100WHV
IDR-LA100/68 -3	B/G	90 (3 lines)	7.2	20 ~ 40	E0		IDR-LA100 HV
IDR-LA120/70R-3	R	228 (3 lines)	9.2	20 ~ 40	74		IDR-LA120RHV
IDR-LA120/70DW-3	W	114 (3 lines)	9.2	20 ~ 40	FF	5	IDR-LA120WHV
IDR-LA120/70 -3	B/G	114 (3 lines)	9.2	20 ~ 40	E4		IDR-LA120 HV
IDR-LA140/108R-3	R	264 (3 lines)	10.6	15 ~ 40	75		IDR-LA140RHV
IDR-LA140/108DW-3	W	132 (3 lines)	10.6	15 ~ 40	FF	6	IDR-LA140WHV
IDR-LA140/108 -3	B/G	132 (3 lines)	10.6	15 ~ 40	E7		IDR-LA140 HV
IDR-LA200/170R-3	R	396 (3 lines)	15.9	40 ~ 45	79		IDR-LA200RHV
IDR-LA200/170DW-3	W	315 (3 lines)	25.2	40 ~ 45	-	7	IDR-LA200WHV
IDR-LA200/170 -3	B/G	315 (3 lines)	25.2	40 ~ 45	-		IDR-LA200 HV

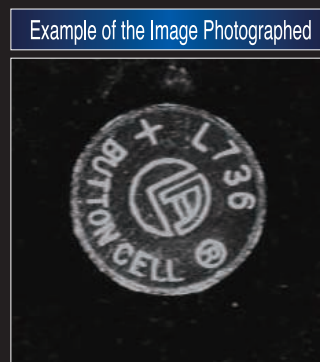
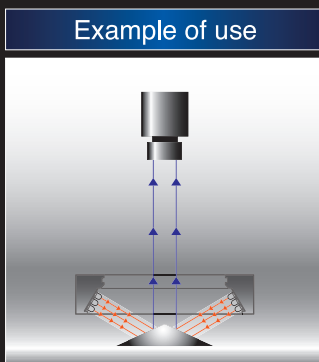
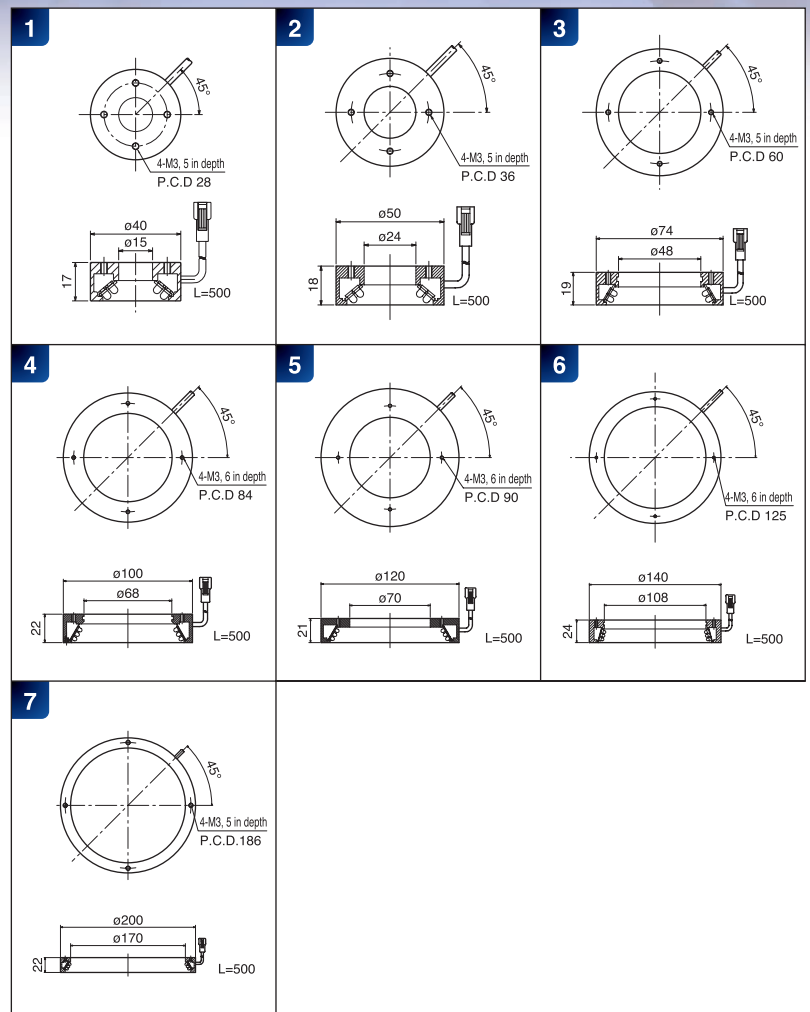
represents B = blue, or G = green.

A diffusing ring (optional) can be attached.

- LA40/15 is not applicable.
- LA50/24-2-C01 has a different thickness.

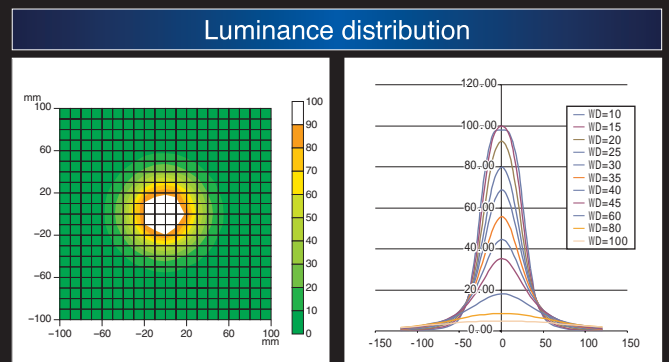
Number of LEDs, power consumption, SAG value, and outline drawing are for DC12V products. Please contact us for specifications of DC24V products. Sizes other than the above are also available.

\* SAG represents the maximum SAG setting value. For details, refer to page 54.



The tip of the bit can be separately highlighted by low-angle irradiation from the periphery.

Work: Button battery  
Light: IDR-LA100/68DW-3



A wide area can be irradiated uniformly even at a distance close to a work surface.

Measurement model: IDR-LA100/68DW-3  
WD: 20mm

Irradiating at a WD of 20 to 40mm is optimum.

Measurement model: IDR-LA100/68DW-3