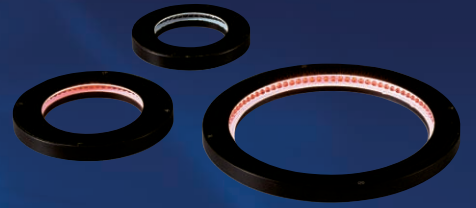


# Horizontal Opposed Ring Light IDR-T



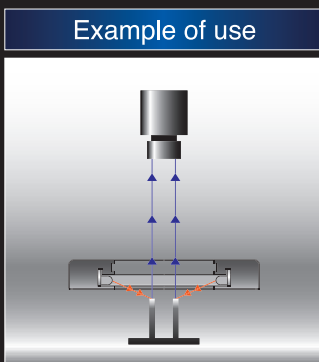
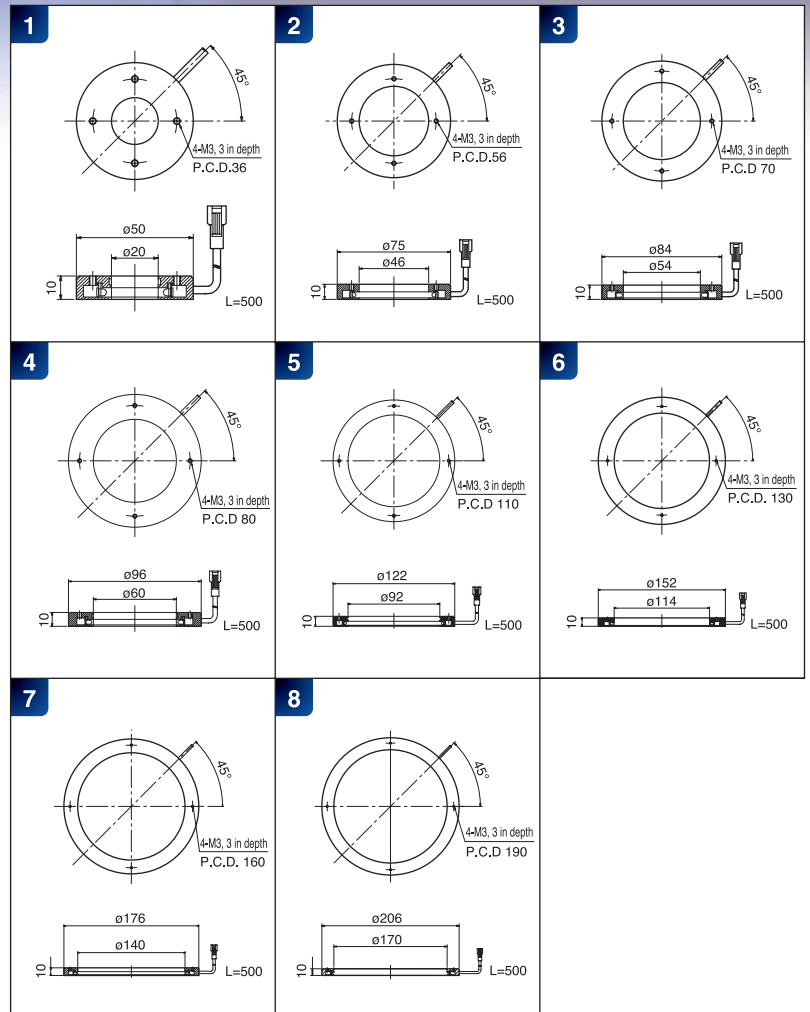
Irradiating light laterally is effective to highlight irregular surface profiles.

High luminance LEDs are mounted in a ring shape, horizontally, facing toward the center of the circumference. When arranged at a close-up distance to a work, it irradiates light at an angle almost laterally because of less diffusion of the LED light. This is suitable for detecting the edge of a work, and for using combined with other light. The optional diffusion ring improves the uniformity of lighting. Variations of red, white, blue, green, infrared, and ultraviolet are available.

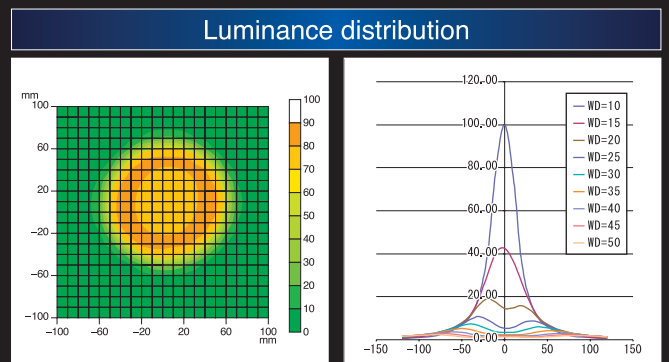
Unit: mm

Model name	Irradiating color	Number of LEDs	Power Consumption (W)	SAG (*)	Outline drawing
IDR-T50/20R-1	R	21	1.7	AD	1
IDR-T50/20□-1	W/B/G	21	1.7	D6	
IDR-T75/46R-1	R	48	2.0	6E	2
IDR-T75/46□-1	W/B/G	48	3.9	DA	
IDR-T84/54R-1	R	48	2.0	6E	3
IDR-T84/54□-1	W/B/G	48	3.9	DA	
IDR-T96/60R-1	R	60	2.4	6F	4
IDR-T96/60□-1	W/B/G	60	4.8	DC	
IDR-T122/92R-1	R	77	3.2	6F	5
IDR-T122/92□-1	W/B/G	77	6.3	DE	
IDR-T152/114R-1	R	96	3.9	70	6
IDR-T152/114□-1	W/B/G	96	7.7	E1	
IDR-T176/140R-1	R	120	4.8	71	7
IDR-T176/140□-1	W/B/G	120	9.6	E5	
IDR-T206/170R-1	R	144	5.8	71	8
IDR-T206/170□-1	W/B/G	144	11.6	E9	

- ★□ represents W = white, B = blue, or G = green.
- ★The optional diffusing plate / polarizing plate can be mounted.
- ★Input voltage is DC 12 V.
- ★Sizes other than the above are also available.
- \* SAG represents the maximum SAG setting value. For details, refer to page 54.



Dirt on the shrink as well as characters on the top plane of a capacitor can be recognized simultaneously.  
Work: Electrolytic capacitor  
Light: IDR-T75/46B-1



It can irradiate uniformly on a work surface at a close-up distance.  
Measurement model: IDR-T176/140W-1  
WD: 10mm

The irradiating area is substantially limited by the variable WD.  
Measurement model: IDR-T96/60W-1