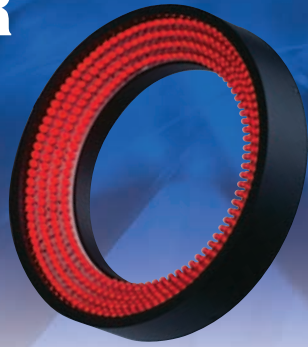


Direct Ring Light IDR

DC 24V products available



Applicable to a wide range of use

This is a general type ring light where bullet-type LED elements are mounted in high density. Light is efficiently condensed to the center by the inclined board. It can be used in various applications, including of character recognition and substrate inspection. For products mentioned here, low cost and weight reduction are prioritized by intentionally using resin cases. However, the product series using aluminum irradiating cases are also available like some of other company's products. For glossy works, please use a diffusing plate or a polarizing plate, which reduces the shadows of LED elements. The diffusing plate and the polarizing plate can be mounted easily by customers using screws.

Unit: mm

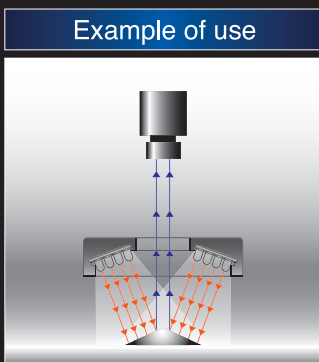
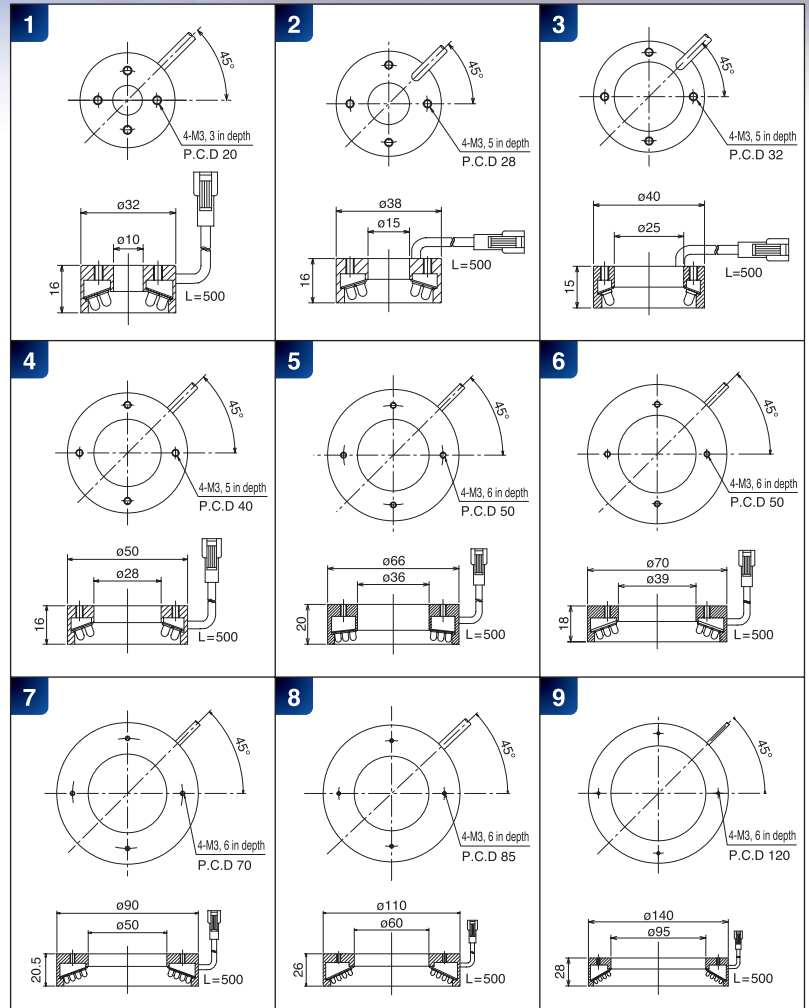
Model (12V)	Irradiating color	Number of LEDs	Power Consumption (W)	WD (mm)	SAG (°)	Outline drawing	Model (24V)
IDR-32/10R	R	30	1.2	20-35	6E		IDR-32RHV
IDR-32/10DW	W	30	2.4	20-35	FF	1	IDR-32WHV
IDR-32/10	B/G	30	2.4	20-35	D7		IDR-32 HV
IDR-38/15R	R	36	1.5	20-35	6E		IDR-38RHV
IDR-38/15DW	W	36	2.9	20-35	FF	2	IDR-38WHV
IDR-38/15	B/G	36	2.9	20-35	D8		IDR-38 HV
IDR-40/25R	R	24	1	25-45	6E		IDR-40RHV
IDR-40/25DW	W	24	2	25-45	FF	3	IDR-40WHV
IDR-40/25	B/G	24	2	25-45	D6		IDR-40 HV
IDR-50/28R	R	54	2.2	15-30	6F		IDR-50RHV
IDR-50/28DW	W	45	3.6	15-30	FF	4	IDR-50WHV
IDR-50/28	B/G	45	3.6	15-30	D9		IDR-50 HV
IDR-66/36R	R	114	4.6	40-70	70		IDR-66RHV
IDR-66/36DW	W	90	7.2	40-70	FF	5	IDR-66WHV
IDR-66/36	B/G	90	7.2	40-70	E0		IDR-66 HV
IDR-70/39R	R	120	4.8	20-60	71		IDR-70RHV
IDR-70/39DW	W	96	7.7	20-60	FF	6	IDR-70WHV
IDR-70/39	B/G	96	7.7	20-60	E1		IDR-70 HV
IDR-90/50R	R	216	8.7	40-90	73		IDR-90RHV
IDR-90/50DW	W	108	8.7	40-90	FF	7	IDR-90WHV
IDR-90/50	B/G	108	8.7	40-90	E3		IDR-90 HV
IDR-110/60R	R	252	10.1	35-90	75		IDR-110RHV
IDR-110/60DW	W	159	12.8	35-90	FF	8	IDR-110WHV
IDR-110/60	B/G	159	12.8	35-90	EB		IDR-110 HV
IDR-140/95R	R	360	14.4	50-110	78		IDR-140RHV
IDR-140/95DW	W	180	14.4	50-110	FF	9	IDR-140WHV
IDR-140/95	B/G	180	14.4	50-110	EE		IDR-140 HV

represents B = blue, or G = green.

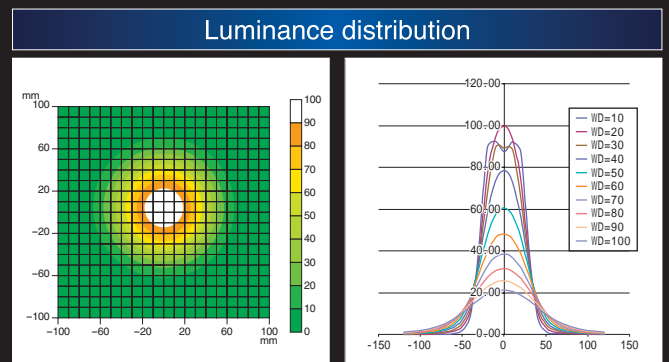
The optional diffusing plate / polarizing plate can be mounted.

Number of LEDs, power consumption, SAG value, and outline drawing are for DC12V products. Please contact us for specifications of DC24V products.

* SAG represents the maximum SAG setting value. For details, refer to page 54.



Defects on a product can be detected by irradiating uniform light from above.
Work: Cap of a PET bottle
Light: IDR-90/50DW



The lighting in the central area is intensified by inclining the LED.
Measurement model: IDR-110/60DW
WD: 50mm

When the WD is less than the appropriate level, it may cause to go out of focus.
Measurement model: IDR-70/39DW