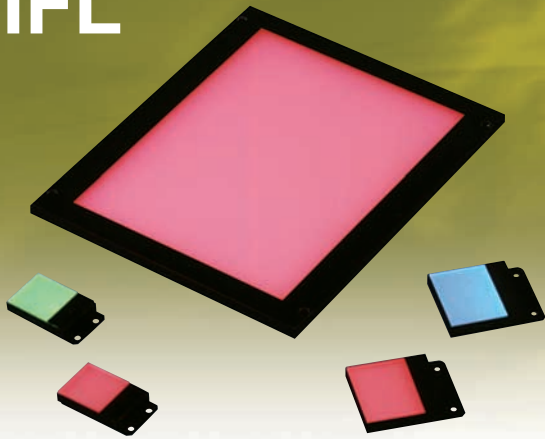


Square Edge-Light IFL

DC 24V products available



Thin and uniform plane luminescence, with low power consumption and low heat generation

This light can be used for a wide range of visual inspection as a backlight light. The main feature is that the height of the light is 8.5 mm or less thanks to the light-transmitting plate lighting system, which is the thinnest among the lights in our catalog. It can be mounted without concern for the equipment installation space. Electric consumption is saved because LEDs at the periphery irradiate light. If the brightness is not sufficient with the IFL series, please consider use of the IDHM series.

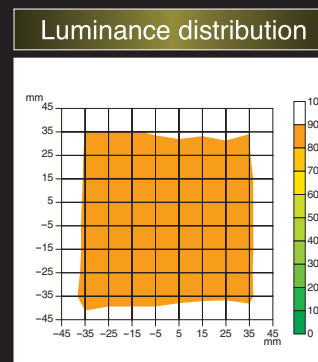
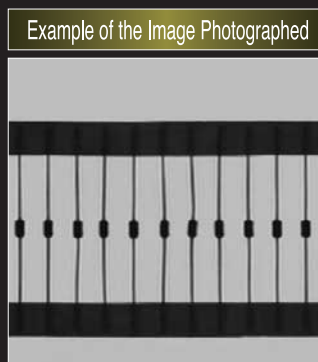
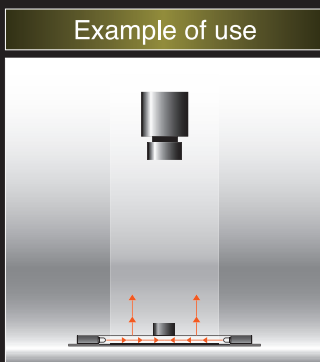
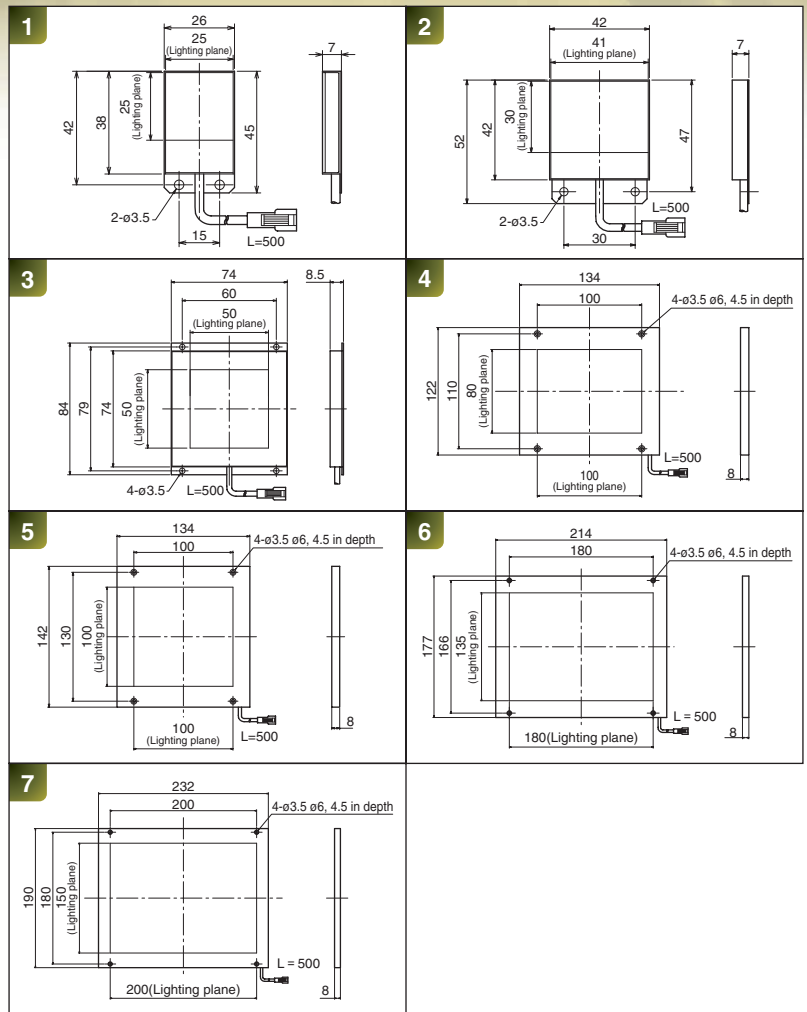
Unit: mm

Model (12V)	Irradiating color	Number of LEDs	Power Consumption (W)	SAG (°)	Outline drawing	Model (24V)
IFL-25/25R	R	6	0.3	6D	1	-
IFL-25/25DW	W	6	0.5	FF		-
IFL-25/25	B/G	6	0.5	D3		-
IFL-30/41R	R	10	0.5	6D	2	-
IFL-30/41DW	W	10	1.2	FF		-
IFL-30/41	B/G	10	1.2	D5	3	-
IFL-50/50R	R	48	2	6E		IFL-50RHV
IFL-50/50DW	W	48	3.9	FF		IFL-50WHV
IFL-50/50	B/G	48	3.9	DA		IFL-50 HV
IFL-80/100R	R	84	3.4	6F		-
IFL-80/100DW	W	84	6.8	FF		-
IFL-80/100	B/G	84	6.8	DF		-
IFL-100/100R	R	96	3.9	70	5	IFL-100RHV
IFL-100/100DW	W	96	7.7	FF		IFL-100WHV
IFL-100/100	B/G	96	7.7	E1	6	IFL-100 HV
IFL-135/180R	R	144	5.8	71		-
IFL-135/180DW	W	144	11.6	FF		-
IFL-135/180	B/G	144	11.6	E9		-
IFL-150/200R	R	168	6.8	72		IFL-150200RHV
IFL-150/200DW	W	168	13.5	FF		IFL-150200WHV
IFL-150/200	B/G	168	13.5	EC		IFL-150200 HV

represents B = blue, or G = green.

Number of LEDs, power consumption, SAG value, and outline drawing are for DC12V products. Please contact us for specifications of DC24V products. Sizes other than the above are also available.

* SAG represents the maximum SAG setting value. For details, refer to page 54.



Irradiating from the back enables easy counting of quantity.

Work: Resistance (reel)
Light: IFL-80/100R

Soft and uniform light is used except in the edge area.

Measurement model: IFL-100/100DW