

Coaxial Light IFV

DC 24V products available



Highly uniform irradiation with a pseudo coaxial type

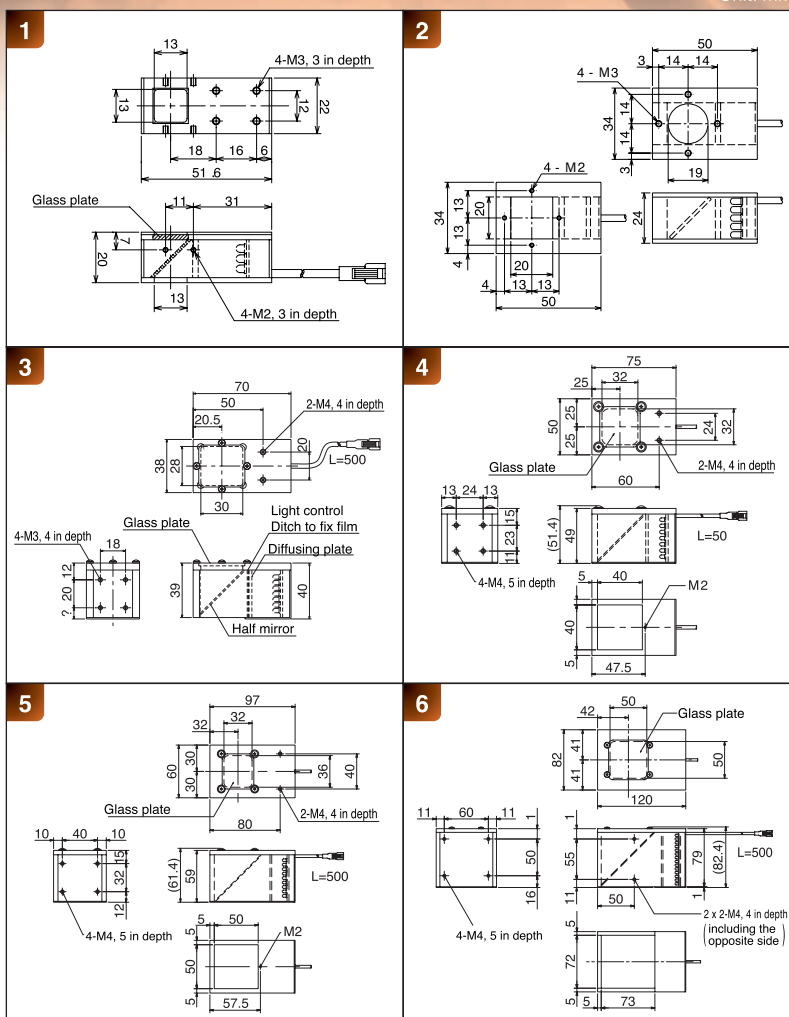
This is a light which can irradiate light with the same axis as the camera axis using a half mirror. Since inspection by regular reflection is possible, it fits for inspection of fine defects on the surface, printing and characters. In addition, it can be used in a wide range of use, including pattern inspection of the board and pitch measurement of the connector pin.

Unit: mm

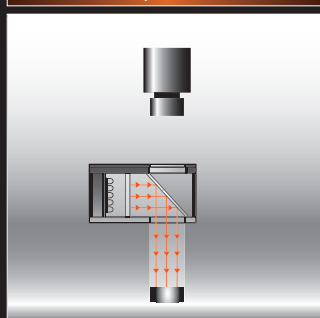
Model (12V)	Irradiating color	Number of LEDs	Power Consumption (W)	SAG (°)	Outline drawing	Model (24V)
IFV-C13R-HM	R	9	0.8	6D	1	-
IFV-C13DW-HM	W	9	0.8	FF		-
IFV-C13 -HM	B/G	9	0.8	D4		-
IFV-C20R	R	25	1.2	6D	2	IFV-C20RHV
IFV-C20DW	W	25	2.2	FF		IFV-C20WHV
IFV-C20	B/G	25	2.2	D7	3	IFV-C20 HV
IFV-C32R	R	42	1.7	6F		IFV-C32RHV
IFV-C32DW	W	42	3.4	FF	4	IFV-C32WHV
IFV-C32	B/G	42	3.4	D9		IFV-C32 HV
IFV-C40R	R	64	2.7	6F	5	IFV-C40RHV
IFV-C40DW	W	49	4.1	FF		IFV-C40WHV
IFV-C40	B/G	49	4.1	DA	6	IFV-C40 HV
IFV-C50R	R	100	4.8	71		IFV-C50RHV
IFV-C50DW	W	81	6.5	FF	6	IFV-C50WHV
IFV-C50	B/G	81	6.5	DF		IFV-C50 HV
IFV-C70R	R	168	6.8	72	6	IFV-C70RHV
IFV-C70DW	W	168	13.5	FF		IFV-C70WHV
IFV-C70	B/G	168	13.5	EC		IFV-C70 HV

represents B = blue, or G = green.

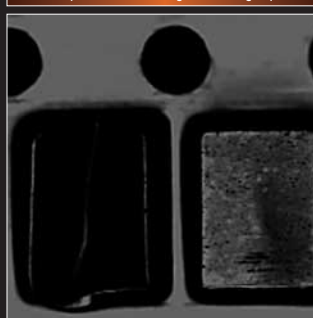
Number of LEDs, power consumption, SAG value, and outline drawing are for DC12V products. Please contact us for specifications of DC24V products.
* SAG represents the maximum SAG setting value. For details, refer to page 54.



Example of use



Example of the Image Photographed



An irregular surface is photographed dark, because it does not reflect light to a camera when irradiating a work with coaxial light with a camera.

Work: Embossed tape
Light: IFV-C50R