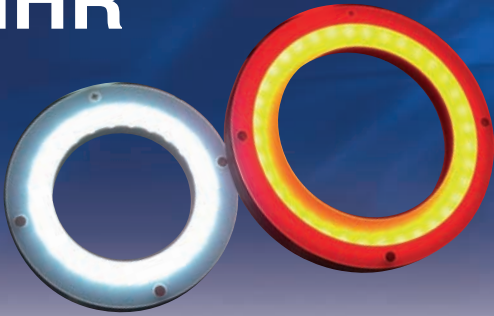


# NEO Ring Light IHR

DC 24V products available

Power LED



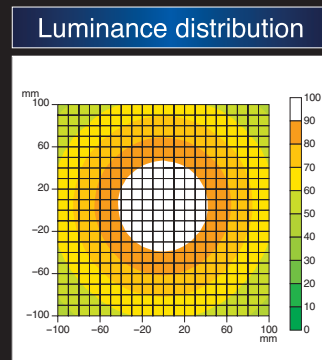
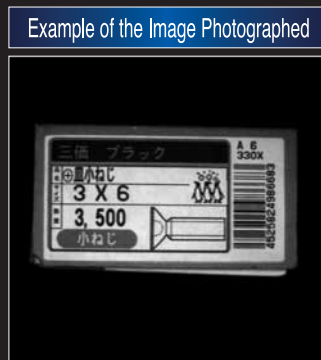
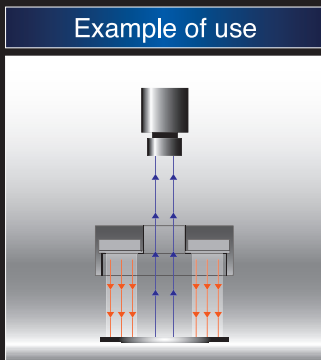
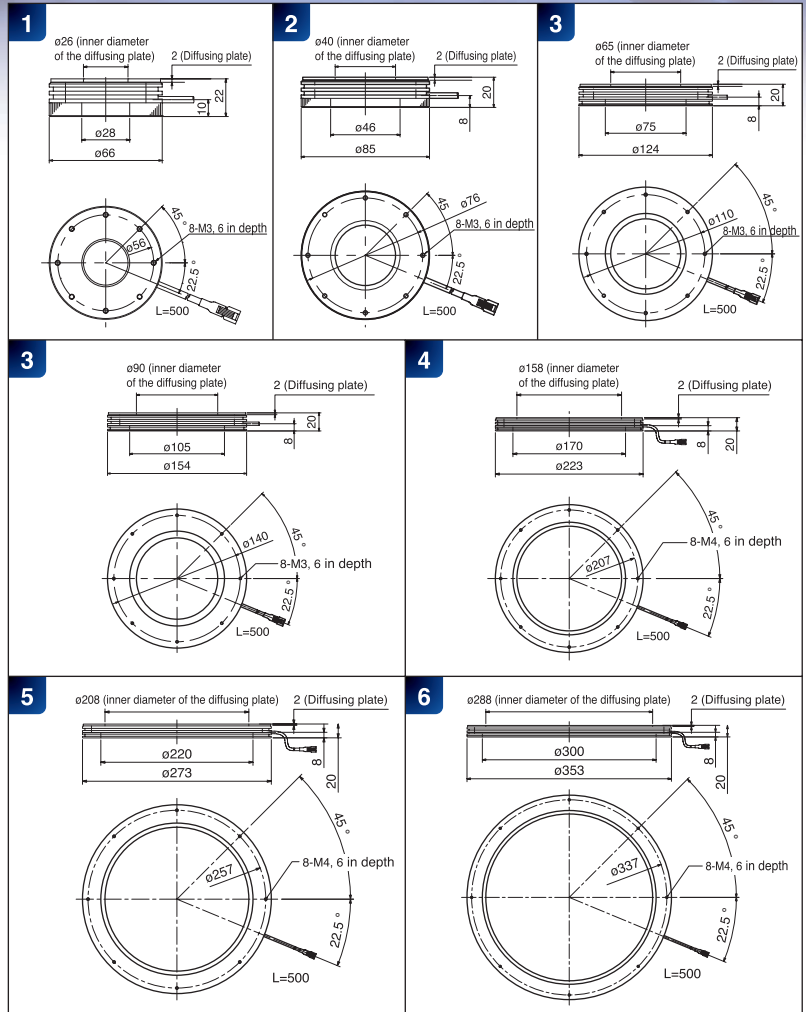
Super-high Luminance Ring Light  
Large sized products are standardized,  
which were not available in the conventional series.

The ring light is our original design. By adopting power LEDs, the light quantity is increased drastically and a wider area is irradiated as compared to our conventional equivalent-sized products. It fits for uses at a long WD or for large works, and its life is extended thanks to the aluminum radiating structure.

Unit: mm

Model (12V)	Irradiating color	Number of LEDs	Power Consumption (W)	SAG (*)	Outline drawing	Model (24V)
IHR-60 S	R	12	6	FF	1	IHR-60 HVS
	W			C3		
	B			AD		
IHR-80 S	R	18	7.2	A1	2	IHR-80 HVS
	W			C4		
	B			AE		
IHR-120 S	R	24	9.6	9D	3	IHR-120 HVS
	W			C5		
	B			AF		
IHR-150 S	R	36	14.4	9E	4	IHR-150 HVS
	W			C8		
	B			B1		
IHR-220 S	R	60	24	FF	5	IHR-220 HVS
	W			CE		
	B			B5		
IHR-270 S	R	72	28.8	A5	6	IHR-270 HVS
	W			DE		
	B			B9		
IHR-350 S	R	90	36	B8	7	IHR-350 HVS
	W			A4		
	B			AA		
	G			9D		

represents R = red, W = white, B = blue, or G = green.  
The diffusing plate is removable, and the optional polarizing plate can be mounted.  
Number of LEDs, power consumption, SAG value, and outline drawing are for DC12V products. Please contact us for specifications of DC24V products.  
\* SAG represents the maximum SAG setting value. For details, refer to page 54.



The work surface can be recognized clearly even when the WD is long.

Work: Seal on cardboard  
Light: IHR-120WS

A high irradiation range can be widely ensured even when the WD is long.

Measurement model: IHR-120WS  
WD: 200 mm