

# Handy Power Light IHSL

Power LED



Substituting LED for halogen ensures a long life.

The luminance and irradiation range are equivalent to a halogen light by condensing multiple power LED lights with a special lens. A large-sized 12-LEDs type is used for visual inspection, while small-sized 7-LEDs type, which can be mounted anywhere using a magnet, is used extensively as lighting inside equipment, as a work lamp around a car, and for other outdoor use. Variations of red, white, blue, and green lighting are available.



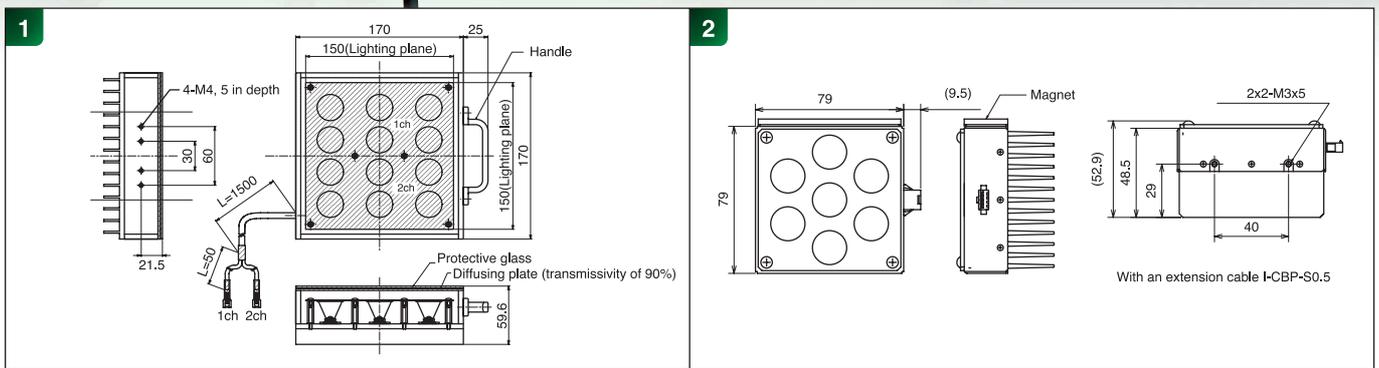
Model name	Irradiating color	Number of LEDs	Input voltage	Power Consumption (W)	Outline drawing
IHSL-150□	R/W/B/G	12	DC12V	33.6	1
IHSL-80□-MG	R/W/B/G	7	DC5V	24.5	2

★□ represents R = red, W = white, B = blue, or G = green.

★The LED used in this lighting has individual difference in the peak wavelength; therefore, even the same type products may vary slightly in color.

★IHSL-150 □ can be used with our power supply of DC 12V.

Unit: mm



## Power Supply

# Power Supply Specialized for IHSL-80 IDV-305SV

This is a power supply unit specialized for the IHSL-80 handy power light. (It cannot be connected to the other types of lighting.)

A single unit of IHSL-80 can be connected, with input voltage of 100V AC and output voltage of 5V DC.



Unit: mm

Input voltage	AC100V
Operating frequency	50/60Hz
Rated Output	DC5V
Light control system	Variable output voltage system
Capacity	30W

