

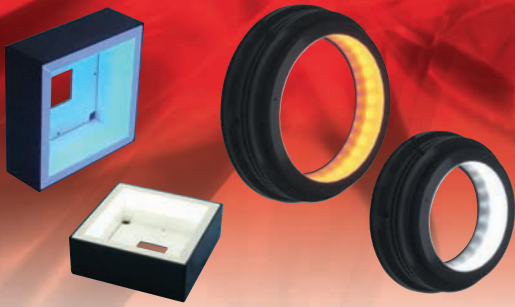
Indirect light type

Box Type Plane Light, NEO Close-distance Shadow-less Ring Light

IPQB IHLR

DC 24V products available

Power LED



Indirect light with super-high luminance and uniform oblique light

Model IPQB is an indirect light which irradiates light from four directions at a low angle. The luminance of IPQB is more than 10 times as much as the conventional products, by mounting power LEDs. The whole case is made of aluminum, which ensures good heat radiation. Thus the light ensures high luminance and a long life. Since the lighting plane shape is square, the light fits for inspection of printing, such as expiration dates, and inspection of IC leads and characters. Model IHLR can be used for edge inspection like the low angle light and the luminance is high like the direct light.

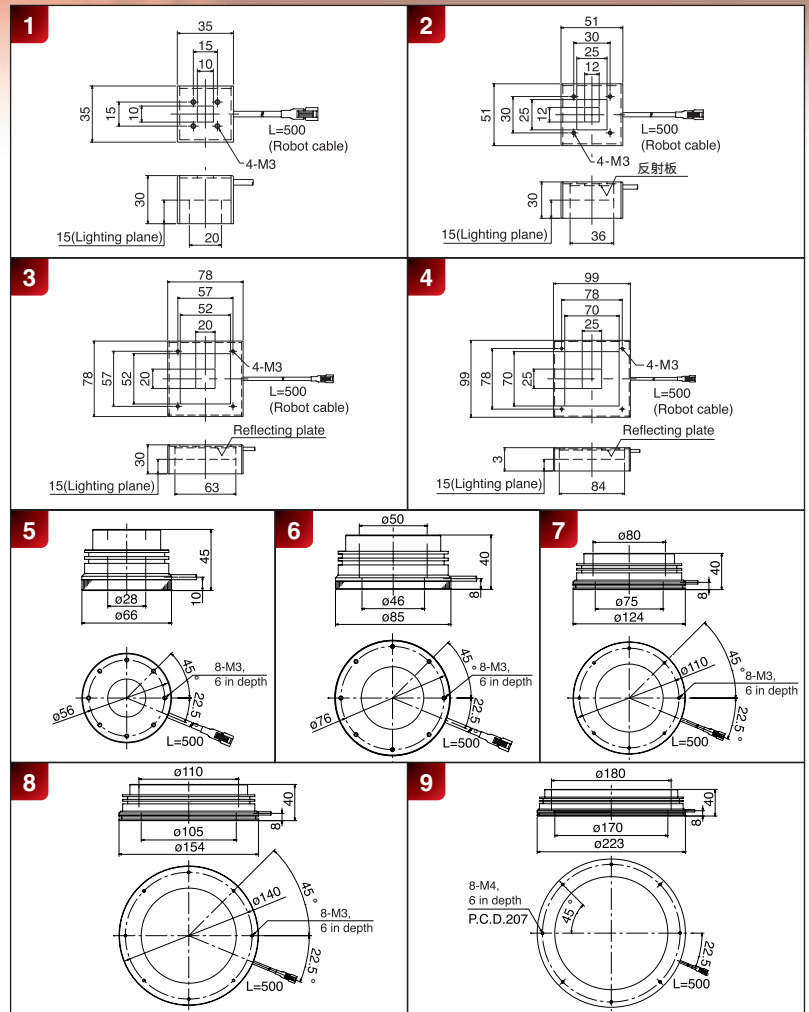
Unit: mm

Model (12V)	Irradiating color	Number of LEDs	Power Consumption (W)	SAG (°)	Outline drawing	Model (24V)
IPQB-35	R/W/B/G	12	2.9	FF	1	-
IPQB-51	R/W/B/G	24	5.8	FF	2	-
IPQB-78	R/W/B/G	36	8.7	FF	3	-
IPQB-99	R/W/B/G	48	11.6	FF	4	-
IHLR-60	R	12	6	FF	5	IHLR-60 HV
	W			C3		
	B			AD		
	G			A1		
IHLR-80	R	18	7.5	FF	6	IHLR-80 HV
	W			C4		
	B			AE		
	G			9D		
IHLR-120	R	24	10	FF	7	IHLR-120 HV
	W			C5		
	B			AF		
IHLR-150	R	36	15	FF	8	IHLR-150 HV
	W			C8		
	B			B1		
	G			A0		
IHLR-220	R	60	24	FF	9	IHLR-220 HV
	W			CE		
	B			B5		
	G			A5		

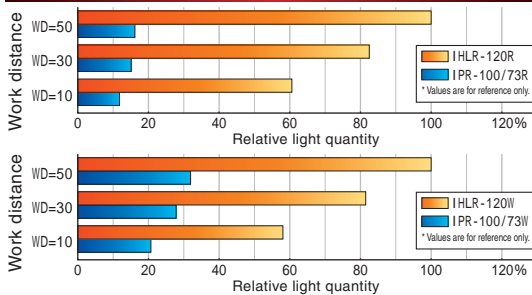
represents R = red, W = white, B = blue, or G = green.

Number of LEDs, power consumption, SAG value, and outline drawing are for DC12V products. Please contact us for specifications of DC24V products.

* SAG represents the maximum SAG setting value. For details, refer to page 54.

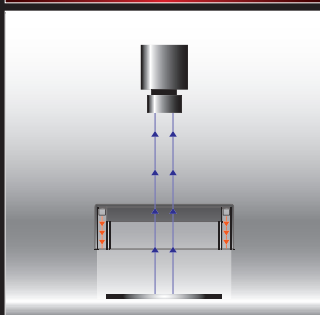


Comparison with conventional products

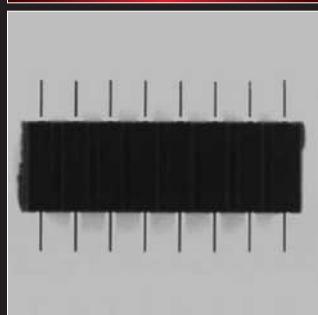


IPQB is equipped with a top plate because of its uniformity-conscious design concept. The top plate is removable.

Example of use



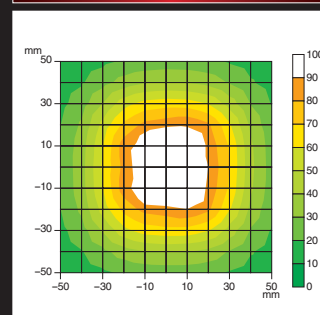
Example of the Image Photographed



The lead can be separately highlighted by irradiating indirect uniform light from four directions.

Work: IC lead
Light: IPQB-51R

Luminance distribution



It can irradiate overall by mounting the top plate.

Measurement model: IPQB-78W
WD: 10mm