



# Low Angle Ring Lighting

Main Applications ● Edge Detection ● Scratch Inspection ● Crack and Chip Detection

- Suitable for the detection of small convex and concave defects on surface
- Ideal to emphasize the edge-crack
- Easy and flexible installation and adjustment with 360 degree lighting
- Polarizer and Diffuser are available to improve lighting efficiency



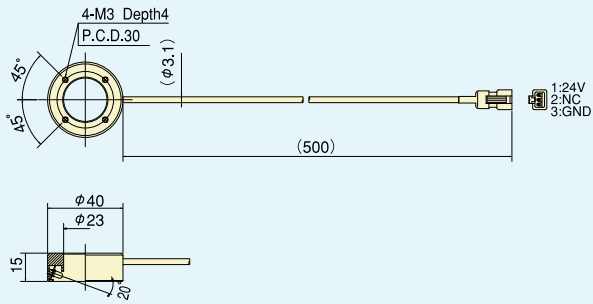
## Low Angle Ring Lighting

	Model No.	Color※	Internal Ring Diameter (mm)	External Ring Diameter (mm)	Power Consumption	Drawing
ULR Series	ULR-23R40	Red ●	φ 23	φ 40	1.0W	ULR-23*40
	ULR-23W40	White ○			1.6W	
	ULR-23B40	Blue ●			1.6W	
	ULR-25R50	Red ●	φ 25	φ 50	1.9W	ULR-25*50
	ULR-25W50	White ○			3.3W	
	ULR-25B50	Blue ●			3.3W	
	ULR-48R74	Red ●	φ 48	φ 74	3.4W	ULR-48*74
	ULR-48W74	White ○			5.7W	
	ULR-48B74	Blue ●			5.7W	
	ULR-68R100	Red ●	φ 68	φ 100	7.2W	ULR-68*100
	ULR-68W100	White ○			12.2W	
	ULR-68B100	Blue ●			12.2W	
	ULR-96R132	Red ●	φ 96	φ 132	10.1W	ULR-96*132
	ULR-96W132	White ○			17.1W	
	ULR-96B132	Blue ●			17.1W	
	ULR-134R170	Red ●	φ 134	φ 170	13.4W	ULR-134*170
	ULR-134W170	White ○			22.8W	
	ULR-134B170	Blue ●			22.8W	
	ULR-172R208	Red ●	φ 172	φ 208	17.3W	ULR-172*208
	ULR-172W208	White ○			29.4W	
	ULR-172B208	Blue ●			29.4W	
	ULR-250R286	Red ●	φ 250	φ 286	21.6W	ULR-250*286
	ULR-250W286	White ○			36.7W	
	ULR-250B286	Blue ●			36.7W	

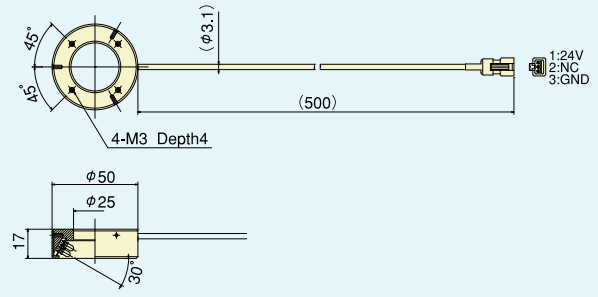
Operating voltage: DC 24V

※Green ● and IR850 ● are also available. Other wavelengths such as UV365 ●, UV395 ● and IR940 ● are available upon request. Please contact us for details. Please refer to Page XX for standard items of UV365 and UV395.

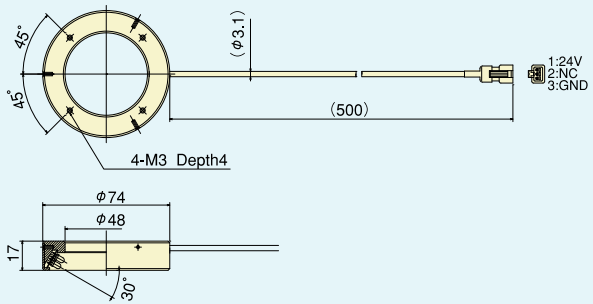
### ULR-23\*40



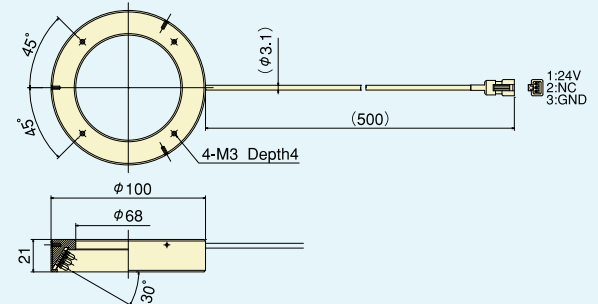
### ULR-25\*50



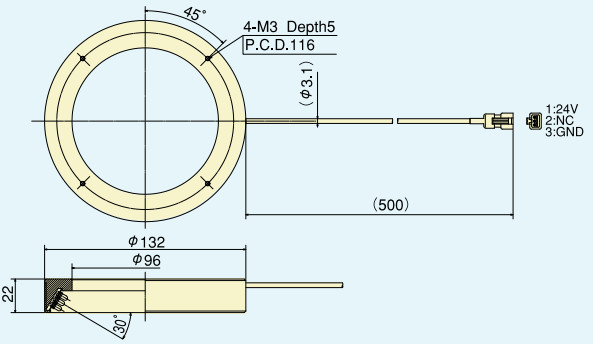
### ULR-48\*74



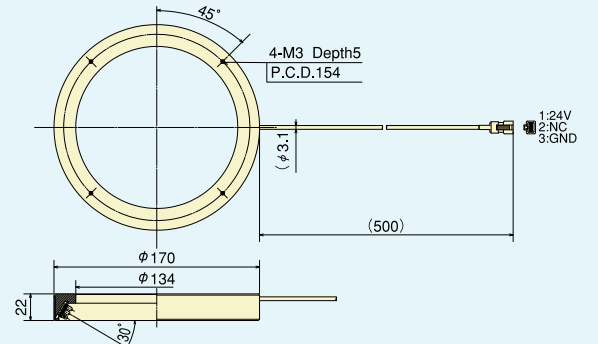
### ULR-68\*100



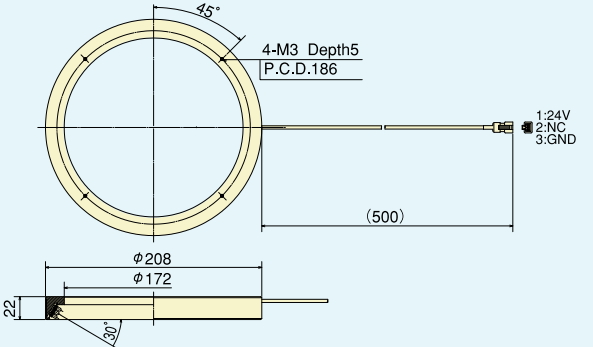
### ULR-96\*132



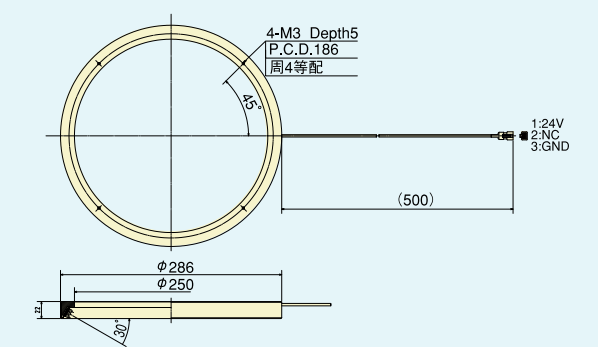
### ULR-134\*170



### ULR-172\*208

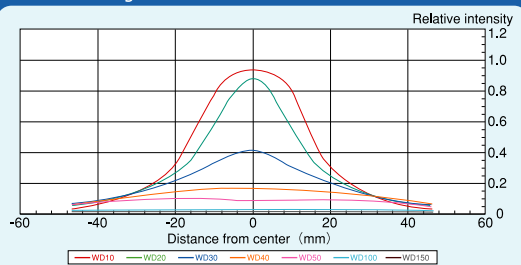
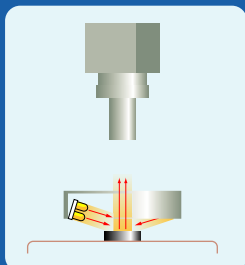


### ULR-250\*286



All dimensions in mm

UDR-48R74 Light distribution at various WD



UDR-48R74 Light distribution at WD 10mm

