



Diffuse Ring Lighting

Main Applications Inspection of Glossy Surface Soldering Inspection

For object with glossy surface
 Prevention of LED glare and reflections
 Light evenly spread out onto
 the object surface



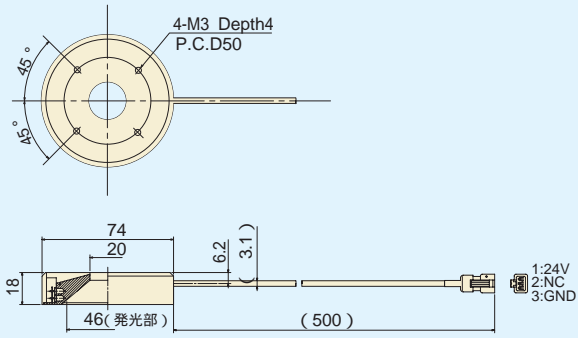
Diffuse Ring Lighting

Series	Model No.	Color	Internal Ring Diameter (mm)	External Ring Diameter (mm)	Power Consumption	Drawing
UNS Series	UNS-20R74	Red	20	74	24V/3.8W	UNS-20*74
	UNS-20W74	White			24V/6.5W	
	UNS-20B74	Blue			24V/6.5W	
	UNS-33R104	Red	33	104	24V/4.8W	UNS-33*104
	UNS-33W104	White			24V/8.2W	
	UNS-33B104	Blue			24V/8.2W	
	UNS-44R123	Red	44	123	24V/6.7W	UNS-44*123
	UNS-44W123	White			24V/11.4W	
	UNS-44B123	Blue			24V/11.4W	

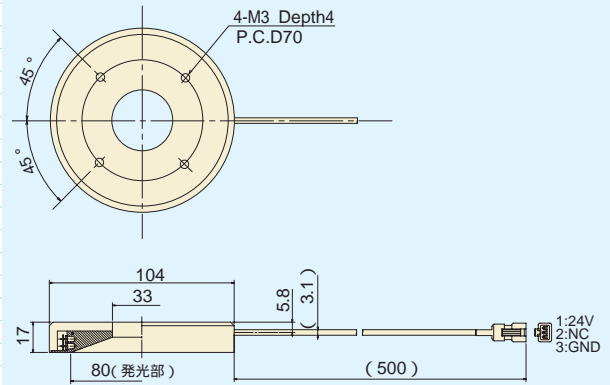
Operating voltage: DC 24V

Green and IR850 are also available. Other wavelengths such as IR940 are available upon request. Please contact us for details.

UNS-20 * 74

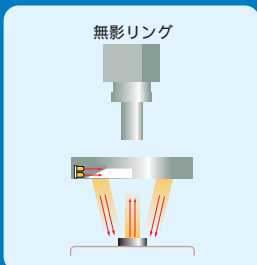
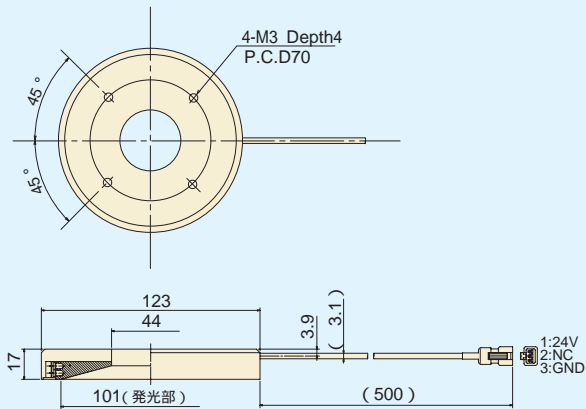


UNS-33 * 104

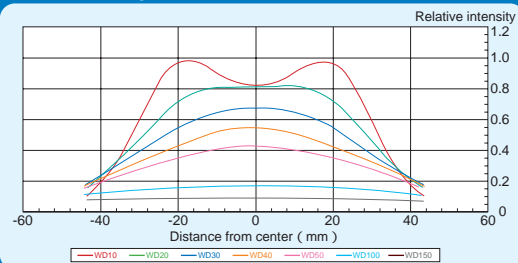


All dimensions in mm

UNS-44 * 123



UNS-33R104 Light distribution at various WD



UNS-33R104 Light distribution at WD 20mm

