



# Diffuse Low Angle Lighting

Main Applications Inspection of Shiny Surface Soldering Detection

Uniform diffuse light from low angle light guiding plate

Suitable for inspection of glossy object



## Diffuse Low Angle Ring Lighting

Series	Model No.	Color	Internal Ring Diameter (mm)	External Ring Diameter (mm)	Power Consumption	Drawing
UNSL Series	UNSL-73R100	Red	73	100	24V/5.3W	UNSL-73*100
	UNSL-73W100	White			24V/9.0W	
	UNSL-73B100	Blue			24V/9.0W	
	UNSL-109R136	Red	109	136	24V/7.2W	UNSL-109*136
	UNSL-109W136	White			24V/12.2W	
	UNSL-109B136	Blue			24V/12.2W	
	UNSL-153R180	Red	153	180	24V/9.6W	UNSL-153*180
	UNSL-153W180	White			24V/16.3W	
	UNSL-153B180	Blue			24V/16.3W	

Operating voltage: DC 24V

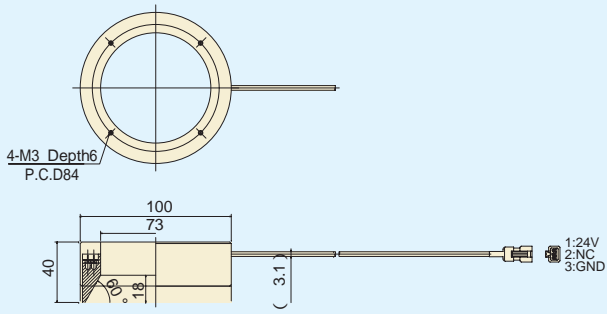
## Square Lighting

Series	Model No.	Color	Outer Dimension	Power Consumption	Drawing
USQN Series	USQN-32R32	Red	32 × 32	24V/1.0W	USQN-32*32
	USQN-32W32	White		24V/1.6W	
	USQN-32B32	Blue		24V/1.6W	
	USQN-48R48	Red	48 × 48	24V/1.4W	USQN-48*48
	USQN-48W48	White		24V/2.4W	
	USQN-48B48	Blue		24V/2.4W	
	USQN-75R75	Red	75 × 75	24V/2.4W	USQN-75*75
	USQN-75W75	White		24V/4.1W	
	USQN-75B75	Blue		24V/4.1W	
	USQN-96R96	Red	96 × 96	24V/3.8W	USQN-96*96
	USQN-96W96	White		24V/6.5W	
	USQN-96B96	Blue		24V/6.5W	

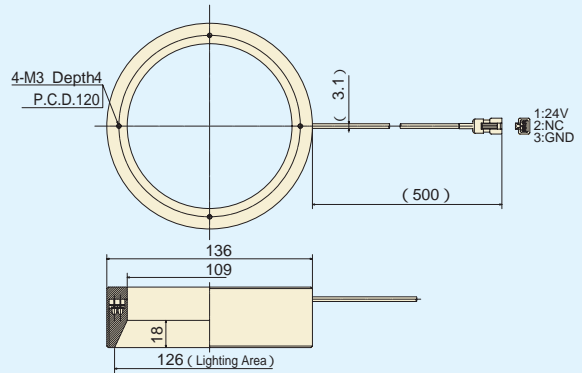
Operating voltage: DC 24V

Green and IR850 are also available. Other wavelengths such as IR940 are available upon request. Please contact us for details.

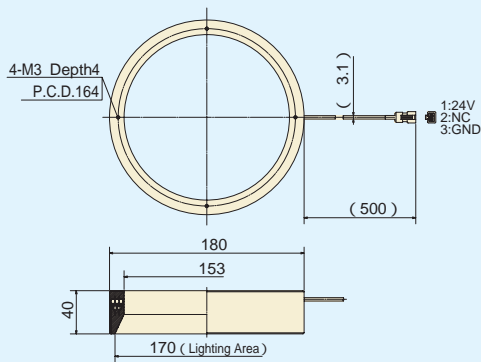
### UNSL-73 \* 100



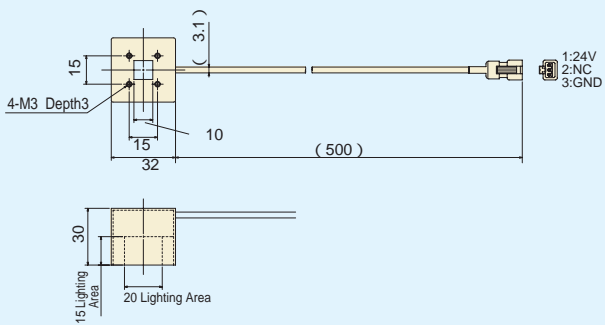
### UNSL-109 \* 136



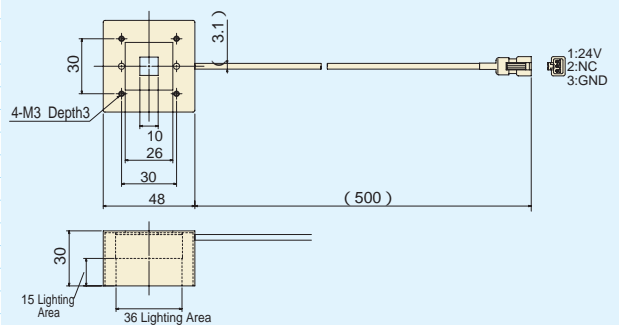
### UNSL-153 \* 180



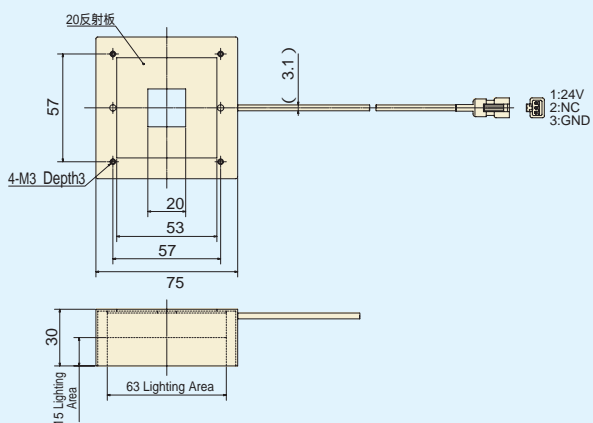
### USQN-32 \* 32



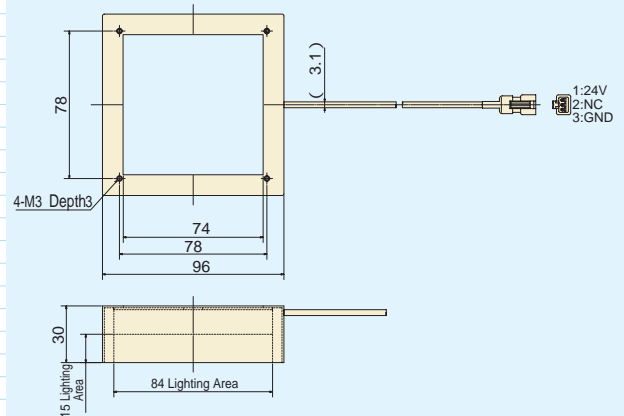
### USQN-48 \* 48



### USQN-75 \* 75



### USQN-96 \* 96



All dimensions in mm