



Diffuse Co-axial Lighting

Main Applications Alignment mark recognition Dimensional Measurement
 Inspection for Glass Substrate

For inspection of mirror finished surface or highly reflective object

Uniform illumination on flat surfaces.

Light-control-film to change light efficiency

Aluminum PCB helps heat dissipation and ensures stability of light intensity.



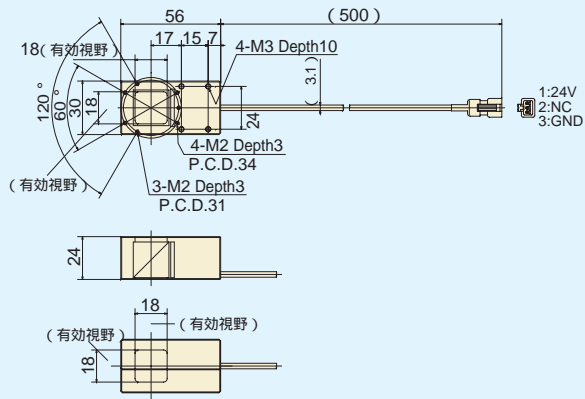
Diffuse Coaxial Lighting

Series	Model No.	Color	Dimension of aperture area (mm)	Power Consumption	Drawing
USCO Series	USCO-18R18	Red	18×18	24V/1.0W	USCO-18*18
	USCO-18W18	White		24V/1.6W	
	USCO-18B18	Blue		24V/1.6W	
	USCO-31R28	Red	31×28	24V/1.9W	USCO-31*28
	USCO-31W28	White		24V/3.3W	
	USCO-31B28	Blue		24V/3.3W	
	USCO-50R50	Red	50×50	24V/4.3W	USCO-50*50
	USCO-50W50	White		24V/7.3W	
	USCO-50B50	Blue		24V/7.3W	
	USCO-75R72	Red	75×72	24V/7.7W	USCO-75*72
	USCO-75W72	White		24V/13.1W	
	USCO-75B72	Blue		24V/13.1W	
	USCO-100R100	Red	100×100	24V/13.0W	USCO-100*100
	USCO-100W100	White		24V/22.0W	
	USCO-100B100	Blue		24V/22.0W	
USCO-130R130	Red	130×130	24V/24.0W	USCO-130*130	
USCO-130W130	White		24V/40.8W		
USCO-130B130	Blue		24V/40.8W		

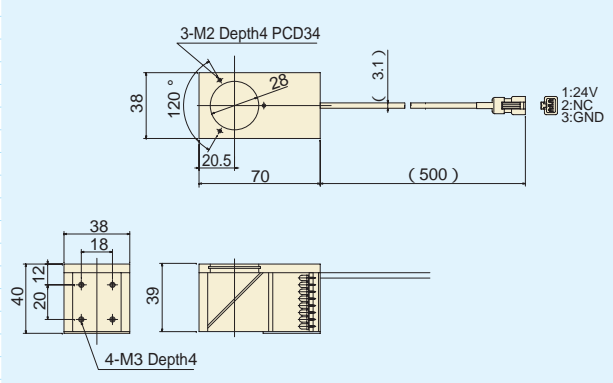
Operating voltage: DC 24V

Green and IR850 are also available. Other wavelengths such as IR940 are available upon request. Please contact us for details.

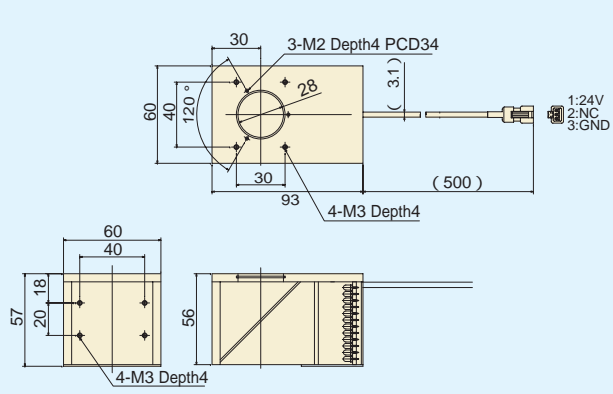
USCO-18*18



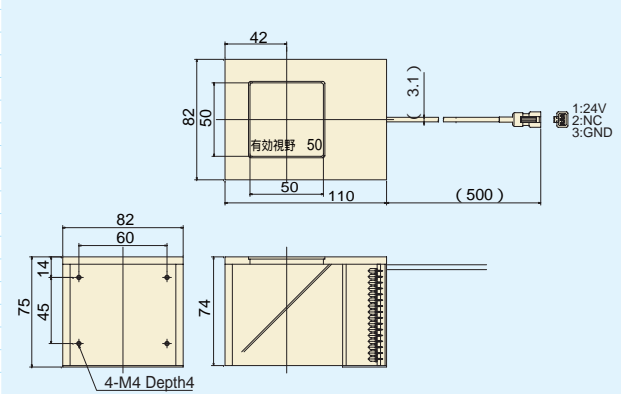
USCO-31*28



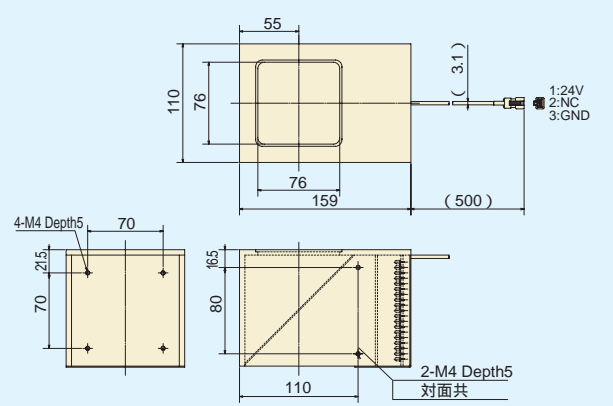
USCO-50*50



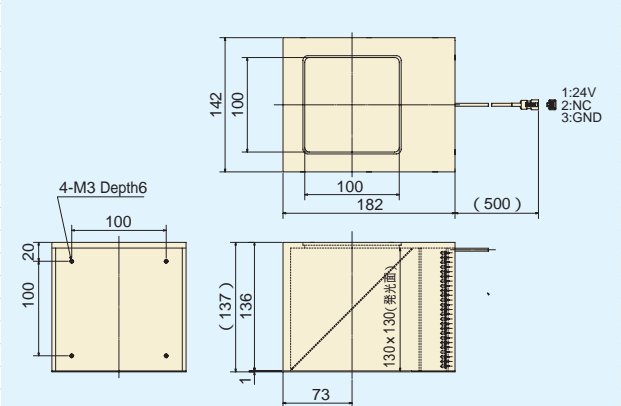
USCO-75*72



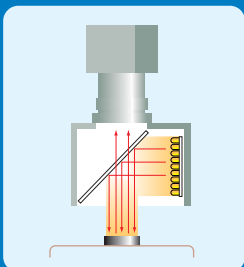
USCO-100*100



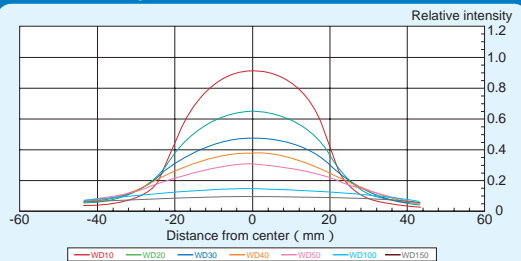
USCO-130*130



All dimensions in mm



USCO-50R50 Light distribution at various WD



USCO-50R50 Light distribution at WD 10mm

