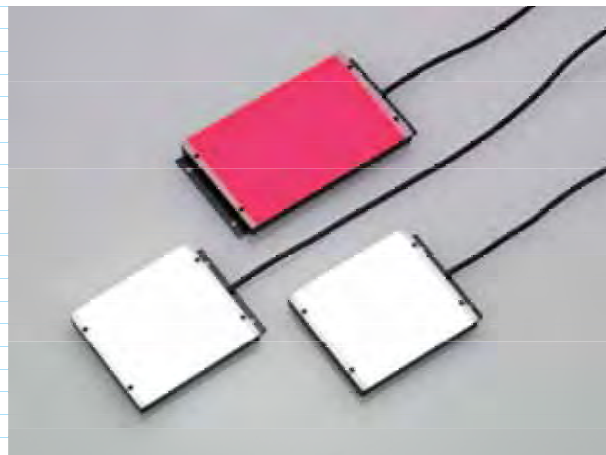




Direct Chip LED Backlighting

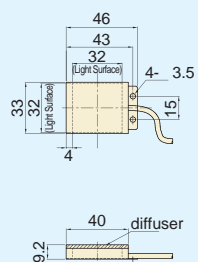
Suitable for transmittance illumination.
 Highly uniform light by using high-density Chip LED
 Ultra slim design for space constrained application



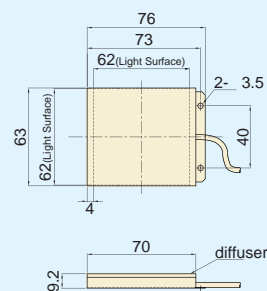
Direct Chip LED Backlights

	Model No.	Color	Dimension of Lighting Area (mm)	Power Consumption	Drawing	
VKM Series	VLM1-32RD	Red	32x32	12V/1.32	VLM-32**	DC12V with 2 Pin Conector
	VLM1-3262RD	Red	32x62	12V/2.64	VLM-3262**	
	VLM1-3292RD	Red	32x92	12V/3.96	VLM-3292**	
	VLM1-32122RD	Red	32x122	12V/5.28	VLM-32122**	
	VLM1-62RD	Red	62x62	12V/5.28	VLM-62**	
	VLM1-6292RD	Red	62x92	12V/7.92	VLM-6292**	
	VLM1-62122RD	Red	62x122	12V/10.56	VLM-62122**	
	VLM1-92RD	Red	92x92	12V/11.88	VLM-92**	
	VLM1-92122RD	Red	92x122	12V/15.84	VLM-92122**	
	VLM1-122RD	Red	122x122	12V/21.12	VLM-122**	
	VLM2-32WD	White	32x32	24V/2.16	VLM-32**	DC24V with 3 Pin Conector
	VLM2-3262WD	White	32x62	24V/4.32	VLM-3262**	
	VLM2-3292WD	White	32x92	24V/6.48	VLM-3292**	
	VLM2-32122WD	White	32x122	24V/8.64	VLM-32122**	
	VLM2-62WD	White	62x62	24V/8.64	VLM-62**	
	VLM2-6292WD	White	62x92	24V/12.96	VLM-6292**	
	VLM2-62122WD	White	62x122	24V/17.28	VLM-62122**	
	VLM2-92WD	White	92x92	24V/19.44	VLM-92**	
VLM2-92122WD	White	92x122	24V/25.92	VLM-92122**		
VLM2-122WD	White	122x122	24V/34.56	VLM-122**		

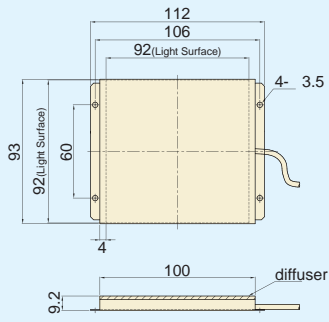
VLM-32**



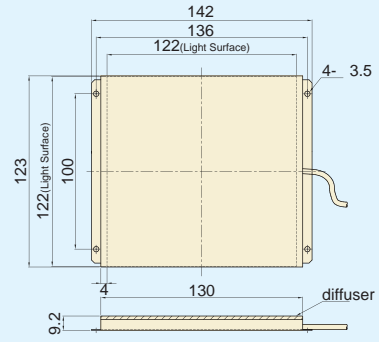
VLM-62**



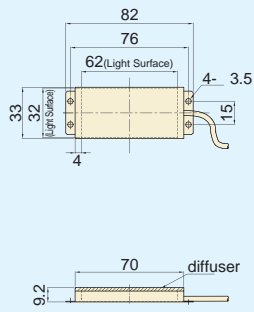
VLM-92**



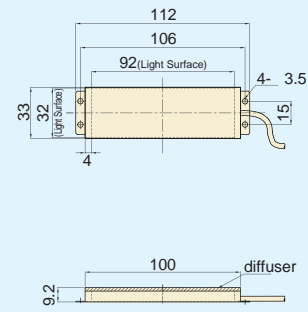
VLM-122**



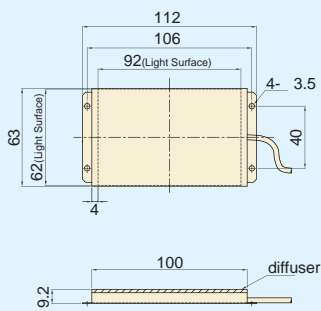
VLM-3262**



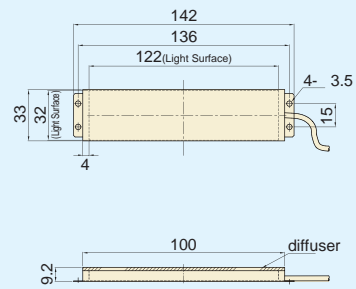
VLM-3292**



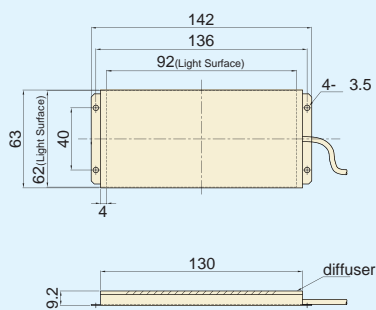
VLM-6292**



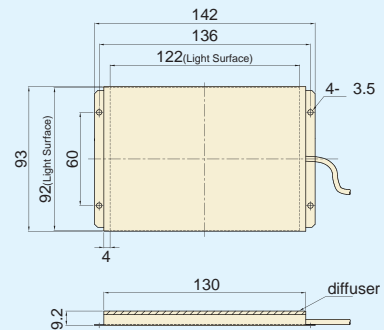
VLM-32122**



VLM-62122**



VLM-92122**

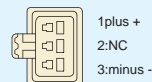


12V 2PIN Conector



SMR-02V-B

24V 3PIN Conector



SMR-03V-B

All dimensions in mm