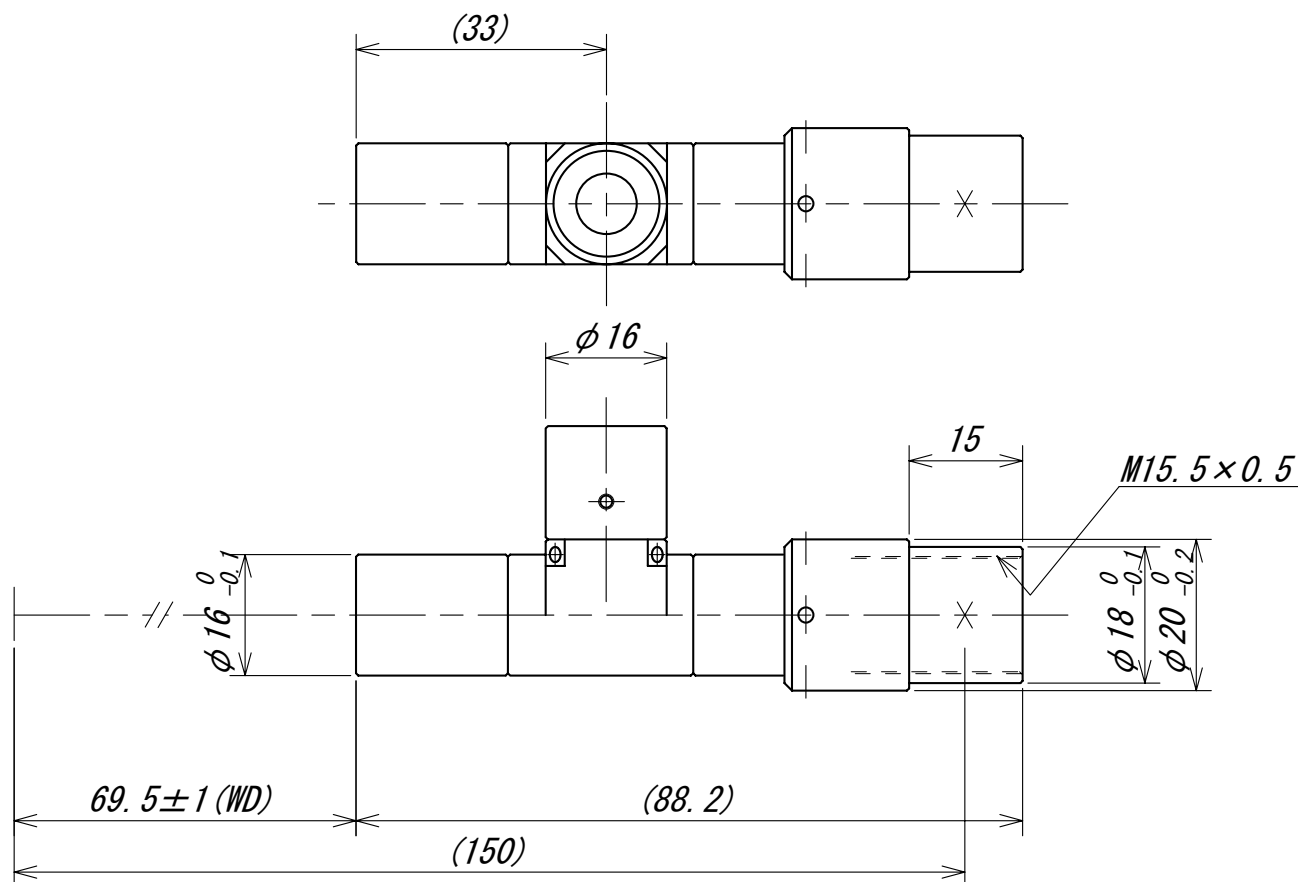


| | | | | |
|----|----|----|----|----|
| 品番 | 品名 | 材料 | 個数 | 記事 |
|----|----|----|----|----|



光学倍率 1.5X
 視野範囲 4.4(V) × 5.8(H) : 2/3"

| | | | | | | | | | | |
|---|------|----------|---------------|----------|---------|---|-----------------------|--------------------|------------------------|---------------------|
| △ | | | | APPROVED | CHECKED | MATERIAL 材料 | FINISH/ROUGHNESS 仕上程度 | HEAT TREATMENT 熱処理 | SURFACE TREATMENT 表面処理 | QUANTITY 個数 |
| △ | | | | | | OVER 250 UP TO 1000 ±0.3 ±0.5 ±1.0 ±0.2 | UNIT (mm) | ANGLE 角度 | METHOD 図法 | REMARK 適要 (機種名) |
| △ | | | | DESIGNED | DRAWN | OVER 63 UP TO 250 ±0.2 ±0.3 ±0.6 ±0.15 | | | | |
| △ | | | | | | OVER 16 UP TO 63 ±0.1 ±0.2 ±0.4 ±0.1 | SCALE | 1/1 | NAME | 外 観 図 |
| △ | | | | | | OVER 0 UP TO 16 ±0.05 ±0.1 ±0.2 ±0.1 | DATE | '03.08.14 | DRAW No. | O D T C 0 0 7 6 A 1 |
| | DATE | EXCH No. | REVISION 変更記事 | | | TOLERANCES | A | B | C | S |