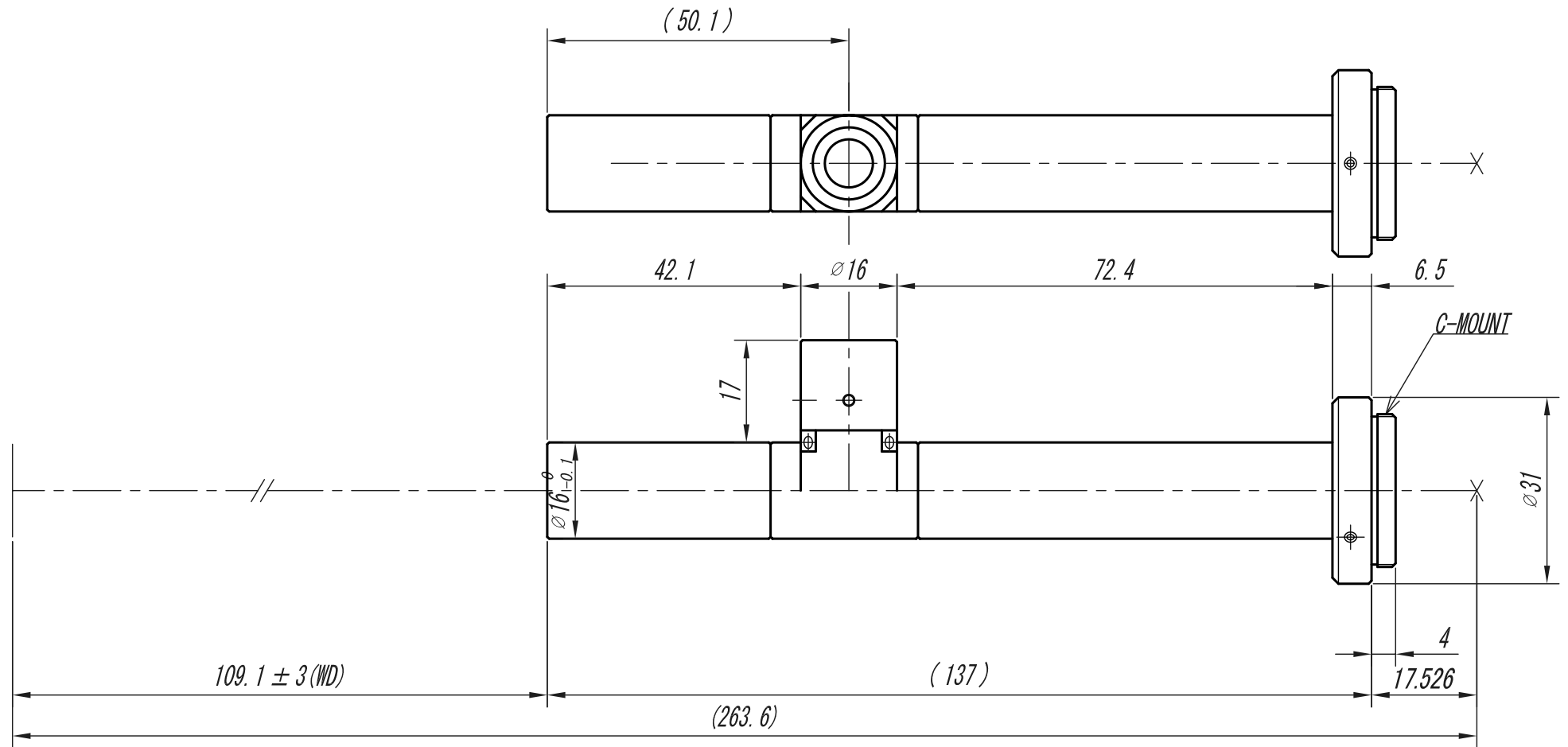


| | | | | |
|----|----|----|----|----|
| 品番 | 品名 | 材料 | 個数 | 記事 |
|----|----|----|----|----|



| | | | | | | | | | | | | | | | | | | |
|---|------|----------|---------------|----------|---------|---------------------|------|------|------|-----------------------|-----------|-----------|-----------|--------------------|-----|------------------------|--|-------------|
| △ | | | | APPROVED | CHECKED | MATERIAL 材料 | | | | FINISH/ROUGHNESS 仕上程度 | | | | HEAT TREATMENT 熱処理 | | SURFACE TREATMENT 表面処理 | | QUANTITY 個数 |
| △ | | | | J. A. | T. A. | | | | | | | | | | | | | |
| △ | | | | DESIGNED | DRAWN | OVER 250 UP TO 1000 | ±0.3 | ±0.5 | ±1.0 | ±0.2 | UNIT (mm) | ANGLE 角度 | METHOD 図法 | REMARK 適用 (機種名) | | | | |
| △ | | | | | | OVER 63 UP TO 250 | ±0.2 | ±0.3 | ±0.6 | ±0.15 | | | | VS-TC8-110C0 | | | | |
| △ | | | | T. T. | T. M. | OVER 16 UP TO 63 | ±0.1 | ±0.2 | ±0.4 | ±0.1 | | SCALE | 1 / 1 | NAME | 外觀図 | | | |
| | DATE | EXCH NO. | REVISION 変更記事 | | | TOLERANCES | A | B | C | S | DATE | '03.08.14 | DRAW NO. | ODTC0049A1 | | | | |